

W2E250 Series

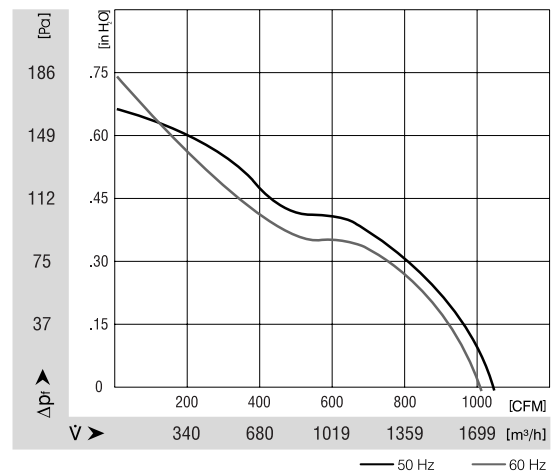
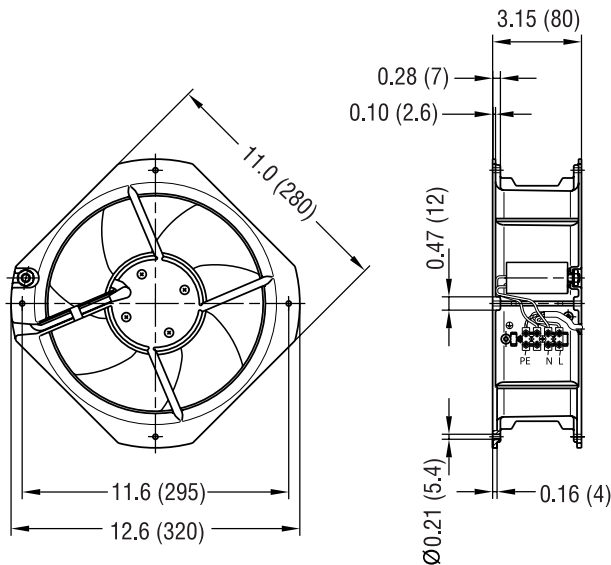
Tubeaxial

280x280x80mm



- AC fans with external rotor shaded-pole motor.
- Die-cast aluminum housing. Impeller of sheet-steel, directly welded onto rotor.
- Air exhaust over struts. Rotational direction CCW looking at rotor.
- Mounting from either face using four 5.4 mm holes.
- Electrical connection via 2 flat pin terminals 2.8 x 0.5 mm.
- Mounting from either face using 2 4.3 mm (.169") holes.
- UL, CSA, VDE approvals on some models, please contact application engineering.

| Part Number | CFM @ 0 | VAC | Hertz | Power (W) | dBA | Max Amb. Temp C | Bearing Type | Features | Wgt. (lbs) |
|----------------|---------|-----|-------|-----------|-----|-----------------|--------------|----------------|------------|
| W2E250-HJ32-01 | 1100 | 115 | 60 | 175 | 73 | 50 | Ball | Terminal Block | 4.00 |
| W2E250-HJ28-01 | 1100 | 230 | 50/60 | 200 | 73 | 40 | Ball | Terminal Block | 4.00 |



ebmpapst

e-mail: sales@us.ebmpapst.com · TEL: 860-674-1515 · FAX: 860-674-8536

ebm-papst Inc., 100 Hyde Road, Farmington, CT 06034 USA

ebm-papst Inc., 2006 © ebm-papst Inc. reserves the right to change any specifications or data without notice