

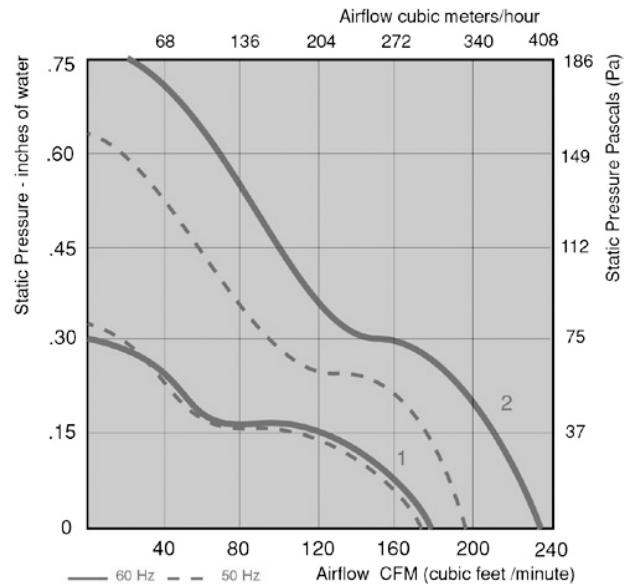
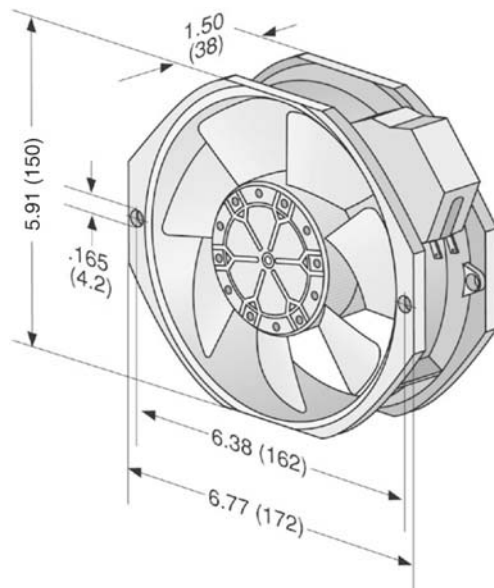


W2E142 Series Tubeaxial

150x172x38mm

- AC fans with external rotor shaded-pole motor. Impedance protected against overloading.
- Die-cast aluminum housing. Impeller of sheet-steel, directly welded onto rotor.
- Air exhaust over struts. Rotational direction CCW looking at rotor.
- Mounting from either face using two 4.3 mm holes.
- Electrical connection via 2 flat pin terminals 2.8 x 0.5 mm.
- Mounting from either face using 2 4.3 mm (.169") holes.
- UL, CSA, VDE approvals on some models, please contact application engineering.

Part Number	CFM @ 0	Curve	Volts	Hertz	Power (W)	dBA	Max Ambient Temp C	Wgt. (lbs)	Type Of Bearing	Features
W2E142-CC13-16	175	1	115	50/60	16	54	75	2.00	Ball	Terminals
W2E142-BB05-01	230	2	115	50/60	24	57	80	2.00	Ball	Terminals
W2E142-BB05-87	230	2	115	50/60	24	57	80	2.00	Ball	Terminals
W2E142-CC15-16	175	1	230	50/60	16	54	75	2.00	Ball	Terminals
W2E142-BB01-01	230	2	230	50/60	24	57	80	2.00	Ball	Terminals
W2E142-BB01-87	230	2	230	50/60	24	57	80	2.00	Ball	Terminals



e-mail: sales@ebm.com • TEL: 860-674-1515 • FAX: 860-674-8536
ebm Industries, Inc., 100 Hyde Road, Farmington, CT 06034 USA

ebm Industries, Inc., 2003 © ebm Industries, Inc. reserves the right to change any specifications or data without notice