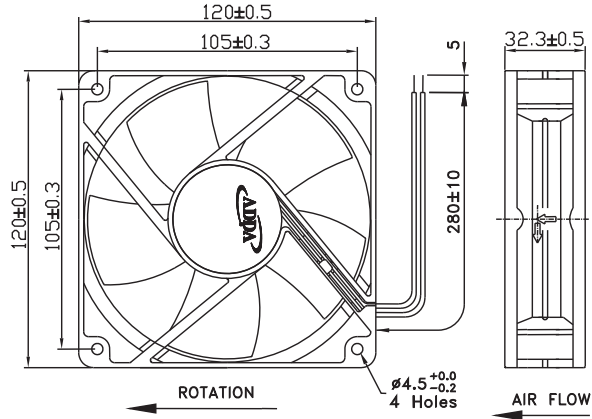


AD12032 SERIES

External Dimensions



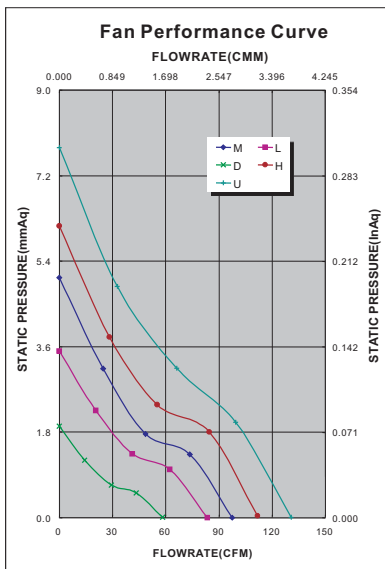
Frame: Plastic(UL:94V-0)
 Impeller: Plastic(UL:94V-0)
 Lead wire: UL1007AWG24

Specifications(Nominal)

*Noise is measured at the distance of one (1) meter from the axis of intake.

Frame size (mm)	Model No.	Bearing System Type	Rated Voltage (VDC)	Current (A)	Power (W)	Rated Speed (rpm)	Maximum AirFlow		Maximum Pressure		*Noise Level (dB/A)	Weight (g)
							(CMM)	(CFM)	(InAq)	(mmAq)		
120x120x32	AD1212DB-Y51	☉※●	12	0.08	0.96	1450	1.649	58.30	0.076	1.93	26.9	213.0
	AD1212LB-Y51	☉※●	12	0.19	3.12	2000	2.365	83.60	0.138	3.51	36.2	
	AD1212MB-Y51	☉※●	12	0.22	2.64	2400	2.759	97.50	0.199	5.05	41.1	
	AD1212HB-Y51	☉※●	12	0.32	3.84	2750	3.056	108.00	0.215	5.46	43.3	
	AD1212UB-Y51	☉※●	12	0.51	6.12	3200	3.701	130.80	0.307	7.80	48.4	
	AD1224DB-Y51	☉※●	24	0.05	1.20	1450	1.649	58.30	0.076	1.93	26.9	
	AD1224LB-Y51	☉※●	24	0.10	2.40	2000	2.356	83.60	0.138	3.51	36.2	
	AD1224MB-Y51	☉※●	24	0.16	3.84	2400	2.759	97.50	0.199	5.05	41.1	
	AD1224HB-Y51	☉※●	24	0.21	5.04	2750	3.056	108.00	0.215	5.46	43.3	
	AD1224UB-Y51	☉※●	24	0.32	7.68	3200	3.702	130.80	0.307	7.80	48.4	
	AD1248HB-Y51	☉※●	48	0.11	5.28	2750	3.056	108.00	0.215	5.46	43.3	
	AD1248UB-Y51	☉※●	48	0.15	7.20	3200	3.701	130.80	0.307	7.80	48.4	

Specifications subject to change without notice.



*Motor protective circuit and third lead wire functions

0	1	2	3	4	6	7	8	9	A	B
✓	✓	✓	✓	✓	✓		✓	✓		✓

*Safety approvals

✓	✓		✓	✓