

8400V Series

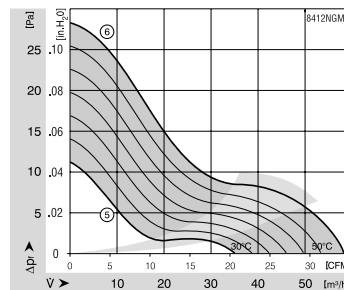
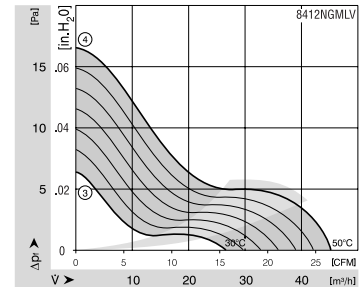
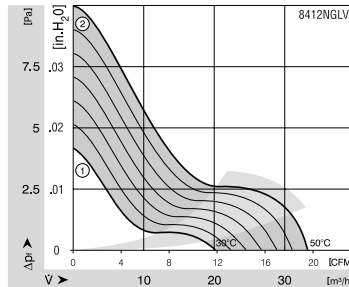
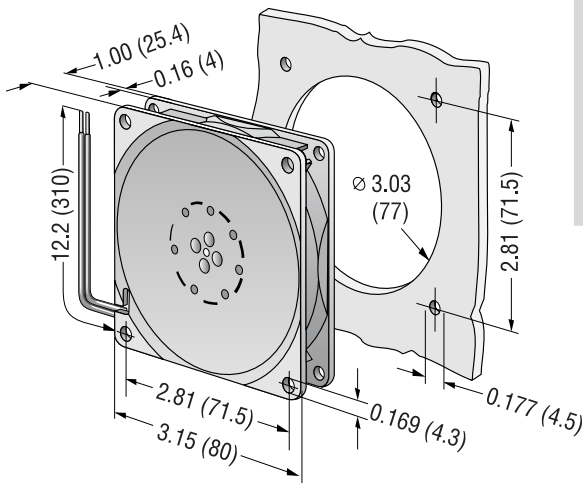
Tubeaxial

80x80x25mm VARIOFAN



- DC fans with electronically commutated external rotor motor. Fully integrated commutation electronics.
- With electronic protection against reverse polarity, blocking and overloading; partially impedance protected.
- Mounting from either face using four 4.3 mm holes.
- Fan of fiberglass reinforced plastic. PBTP housing, PA impeller.
- Air exhaust over struts. Rotational direction CCW looking at rotor.
- Electrical connection via leads AWG 24, TR 64. Stripped and tinned ends.
- UL, CSA, VDE approvals on some models, please contact application engineering.
- Temperature sensor (LZ370) must be ordered separately.

Part Number	Curve	CFM @ 0	VDC	Volt. Range	Power (W)	dB(A)	Max Amb. Temp C	Bearing Type	Features	Wgt. (lbs)
30°C ▼ 50°C 8412NGLV	1 2	11.8 19.4	12	10 to 14	0.9 1.1	10 12	70	Sintec	Leads	0.21
30°C ▼ 50°C 8412NGMLV	3 4	15.9 26.5	12	8 to 14	1.1 1.5	10 19	70	Sintec	Leads	0.21
30°C ▼ 50°C 8412NGMV	5 6	20.6 34.1	12	8 to 14	1.4 2.0	13 26	70	Sintec	Leads	0.21



ebmpapst

e-mail: sales@us.ebmpapst.com · TEL: 860-674-1515 · FAX: 860-674-8536

ebm-papst Inc., 100 Hyde Road, Farmington, CT 06034 USA

ebm-papst Inc., 2006 © ebm-papst Inc. reserves the right to change any specifications or data without notice