

# 400J Series

# Tubeaxial

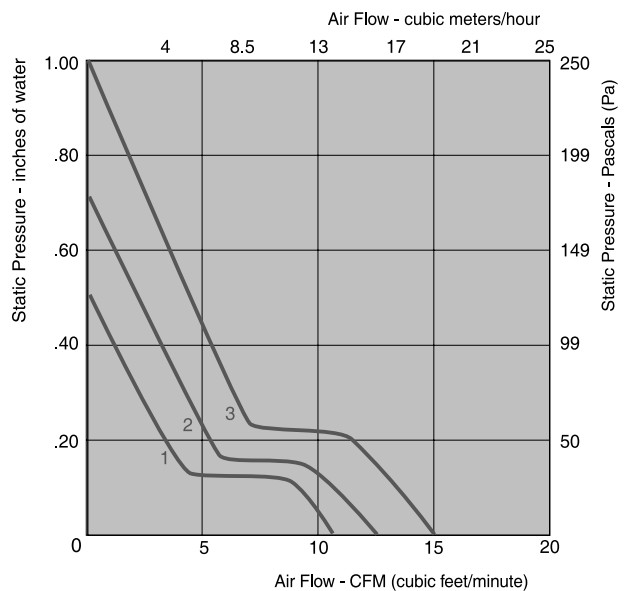
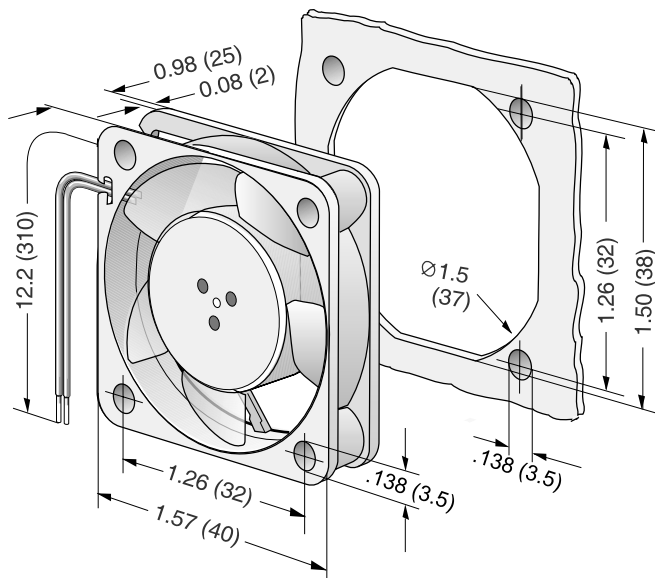
## 40x40x25mm High Performance



- DC high-performance fans with electronically commutated external rotor motor. Fully integrated commutation electronics.
- With electronic protection against reverse polarity, blocking and overloading.
- Mounting from either face using four 3.5 mm holes.
- Fan of fiberglass reinforced plastic. PBT housing, PA impeller.
- Air exhaust over struts. Rotational direction CCW looking at rotor.
- Electrical connection via leads AWG 28, TR 64. Stripped and tinned ends.
- UL, CSA, VDE approvals on some models, please contact application engineering.

Part Number	CFM @ 0	Curve	Volts	Voltage Range	Power (W)	dBA	Max Ambient Temp C	Wgt. (lbs)	Type Of Bearing	Features	Speed (RPM)
412J	11.3	1	12	8 to 13.5	2.4	39	70	0.04	Ball	Leads	10,300
412JH	12.8	2	12	8 to 13.5	3.0	43	70	0.04	Ball	Leads	11,700
412JHH	14.2	3	12	8 to 13.5	3.3	46	60	0.04	Ball	Leads	13,000
414J	11.3	1	24	18 to 27	2.4	39	70	0.04	Ball	Leads	10,300
414JH	12.8	2	24	18 to 27	3.0	43	70	0.04	Ball	Leads	11,700
414JHH	14.2	3	24	18 to 27	3.6	46	60	0.04	Ball	Leads	13,000

Tacho signal /2 available on request.  
Alarm signal /37 available on request.



e-mail: [sales@ebm.com](mailto:sales@ebm.com) • TEL: 860-674-1515 • FAX: 860-674-8536  
 ebm Industries, Inc., 100 Hyde Road, Farmington, CT 06034 USA  
 ebm Industries, Inc., 2003 © ebm Industries, Inc. reserves the right to change any specifications or data without notice