

W2S130 Series

Tubeaxial

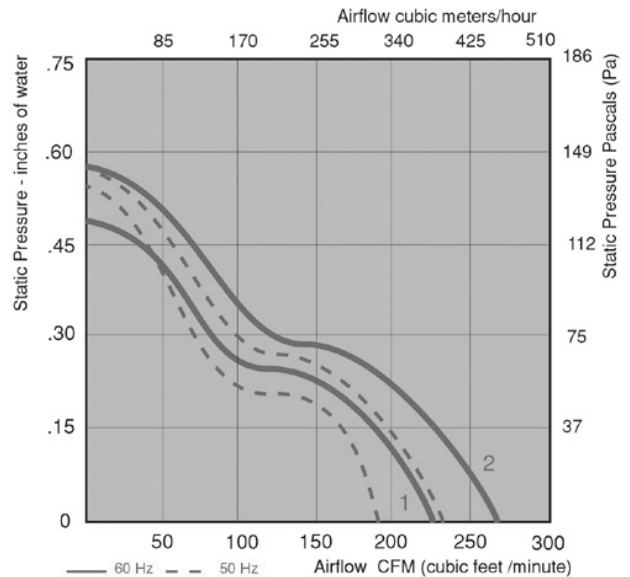
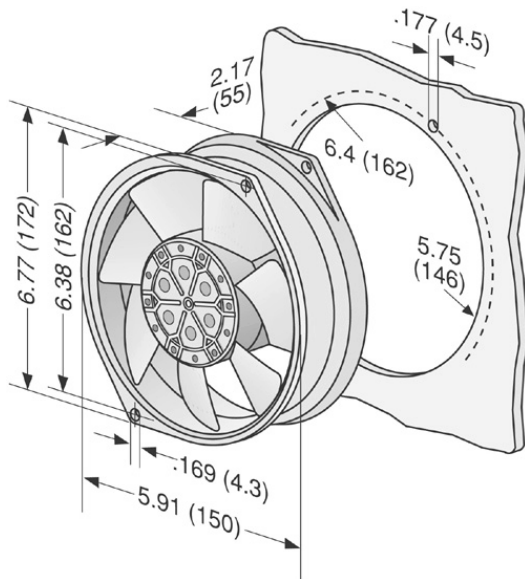
150Øx55mm



- AC fans with external rotor shaded-pole motor. Impedance protected against overloading.
- Die-cast aluminum housing. Impeller of sheet-steel, directly welded onto rotor.
- Rotational direction CCW looking at rotor.
- Mounting from either face using two 4.5 mm holes.
- Electrical connection via 2 spade terminals.
- Cable length 330 mm.
- Mounting from either face using 2 4.3 mm (.169") holes.
- UL, CSA, VDE approvals on some models, please contact application engineering.

Part Number	CFM @ 0	Curve	Volts	Hertz	Power (W)	dBA	Max Ambient Temp C	Wgt. (lbs)	Type Of Bearing	Features
W2S130-AA25-01	225	1	115	50/60	38	52	80	2.44	Ball	Leads
W2S130-AA25-44	225	1	115	50/60	38	52	80	2.44	Ball	Terminals
W2S130-AA25-51	225	1	115	50/60	38	52	80	2.44	Ball	Terminals
W2S130-BM15-01	263	2	115	50/60	46	60	70	2.44	Ball	Leads
W2S130-AA03-01	225	1	230	50/60	39	52	70	2.63	Ball	Leads
W2S130-AA03-44	225	1	230	50/60	38	52	70	2.63	Ball	Terminals
W2S130-AA03-51	225	1	230	50/60	38	52	70	2.63	Ball	Terminals
W2S130-BM03-01	250	2	230	50/60	46	60	70	2.44	Ball	Leads
W2S130-AA03-49	225	1	115/230	50/60	38	52	70	2.63	Ball	Leads

Fan Type	Air Flow
W2S130-AA	Exhaust over struts
W2S130-BM	Intake over struts



e-mail: sales@ebm.com • TEL: 860-674-1515 • FAX: 860-674-8536
 ebm Industries, Inc., 100 Hyde Road, Farmington, CT 06034 USA
 ebm Industries, Inc., 2003 © ebm Industries, Inc. reserves the right to change any specifications or data without notice