

W2S130 Series

Tubeaxial

150Øx55mm

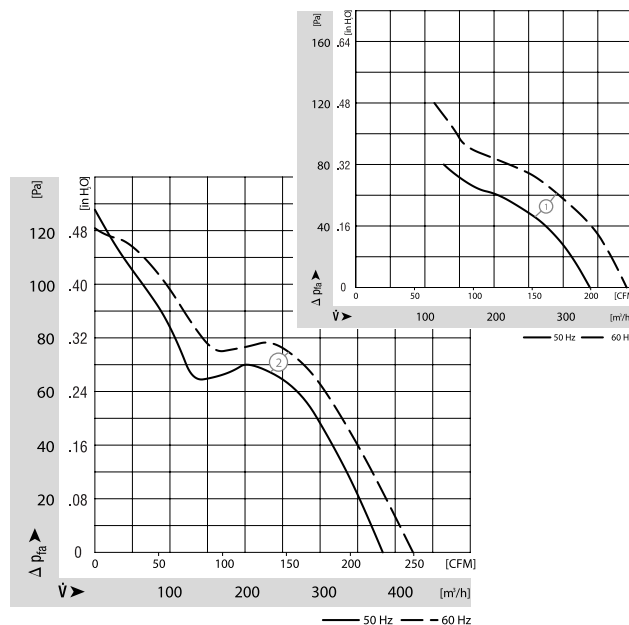
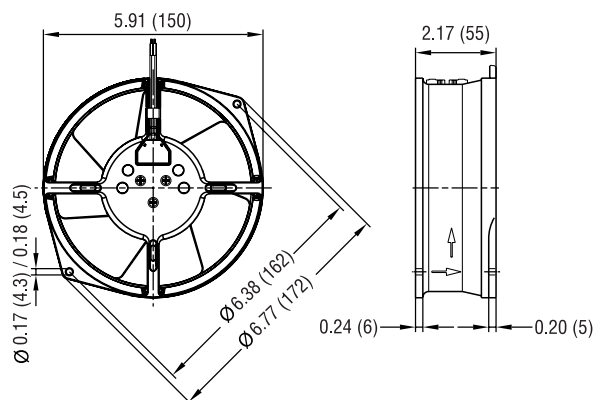


- AC fans with external rotor shaded-pole motor. Impedance protected against overloading.
- Die-cast aluminum housing. Impeller of sheet-steel, directly welded onto rotor.
- Rotational direction CCW looking at rotor.
- Cable length 330 mm as of wall ring.
- UL, CSA, VDE approvals on most models, please contact application engineering.

Part Number	Curve	CFM @ 0	VAC	Hertz*	Power (W)	dBA	Max Amb. Temp C	Bearing Type	Features	Wgt. (lbs)
W2S130-AA25-01	1	223.6	115	60*	38	53	80	Ball	Leads	2.44
W2S130-AA25-44	1	223.6	115	60*	38	53	80	Ball	Terminals	2.44
W2S130-BM15-01	2	250.1	115	60*	46	62	70	Ball	Leads	2.44
W2S130-AA03-01	1	223.6	230	60*	39	53	70	Ball	Leads	2.44
W2S130-AA03-44	1	223.6	230	60*	38	53	70	Ball	Terminals	2.44
W2S130-BM03-01	2	250.1	230	60*	46	62	70	Ball	Leads	2.44
W2S130-AA03-49	1	223.6	115/230	50/60	38	53	70	Ball	Leads	2.44

* 50 Hz data available upon request

Fan Type	Air Flow
W2S130-AA	Exhaust over struts
W2S130-BM	Intake over struts



ebmpapst

e-mail: sales@us.ebmpapst.com · TEL: 860-674-1515 · FAX: 860-674-8536

ebm-papst Inc., 100 Hyde Road, Farmington, CT 06034 USA

ebm-papst Inc., 2006 © ebm-papst Inc. reserves the right to change any specifications or data without notice