

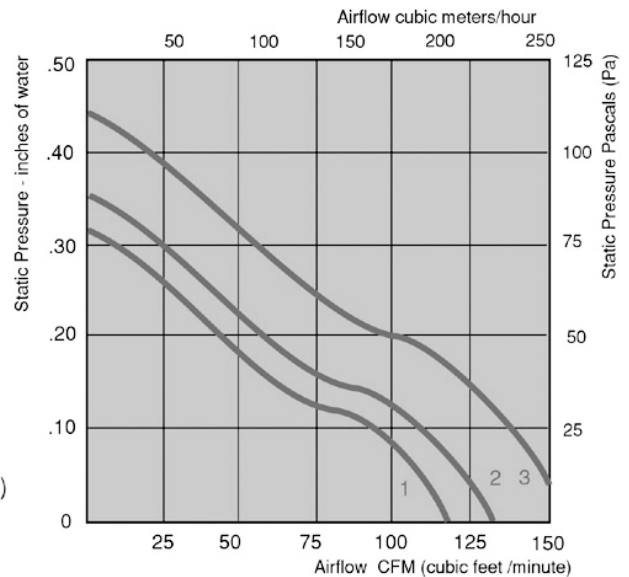
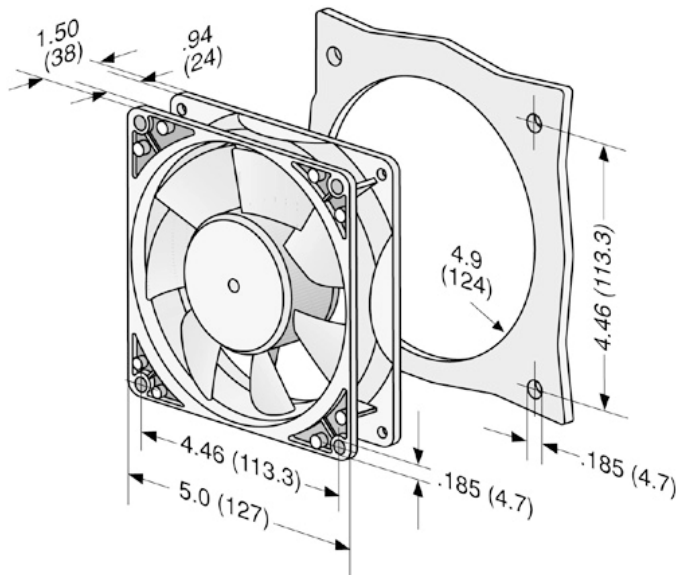


# W2G115 Series Tubeaxial

127x127x38mm

- DC fans with electronically commutated external rotor motor. Fully integrated commutation electronics.
- With electronic protection against reverse polarity and locked-rotor.
- Mounting from either face using four 4.7 mm holes.
- Die-cast aluminum housing. Impeller of sheet-steel, directly welded onto rotor and stove-enameled.
- Air exhaust over struts. Rotational direction CCW looking at rotor.
- Electrical connection via 2 flat pins 2.8 x 0.8 mm.
- UL, CSA, VDE approvals on some models, please contact application engineering.

Part Number	CFM @ 0	Curve	Volts	Voltage Range	Power (W)	dBA	Max Ambient Temp C	Wgt. (lbs)	Type Of Bearing	Features
W2G115-AD15-01	118	1	12	8 to 16	4.5	44	72	1.31	Ball	Leads
W2G115-AD15-13	118	1	12	8 to 16	4.5	44	72	1.31	Ball	Terminals
W2G115-AE53-01	130	2	12	8 to 16	5.9	48	72	1.56	Ball	Leads
W2G115-AE53-13	130	2	12	8 to 16	5.9	48	72	1.56	Ball	Terminals
W2G115-AD17-01	118	1	24	18 to 30	4.7	44	72	1.31	Ball	Leads
W2G115-AD17-13	118	1	24	18 to 30	4.7	44	72	1.31	Ball	Leads
W2G115-AE31-01	130	2	24	18 to 30	5.7	48	72	1.56	Ball	Leads
W2G115-AE31-13	130	2	24	18 to 30	5.7	48	72	1.56	Ball	Terminals
W2G115-AG71-01	160	3	24	16 to 28	12.0	52	72	1.56	Ball	Leads
W2G115-AG71-12	160	3	24	16 to 28	12.0	52	72	1.56	Ball	Terminals
W2G115-AD19-01	118	1	48	36 to 56	4.6	44	72	1.31	Ball	Leads



e-mail: [sales@ebm.com](mailto:sales@ebm.com) • TEL: 860-674-1515 • FAX: 860-674-8536  
 ebm Industries, Inc., 100 Hyde Road, Farmington, CT 06034 USA

ebm Industries, Inc., 2003 © ebm Industries, Inc. reserves the right to change any specifications or data without notice