

W2E200 Series

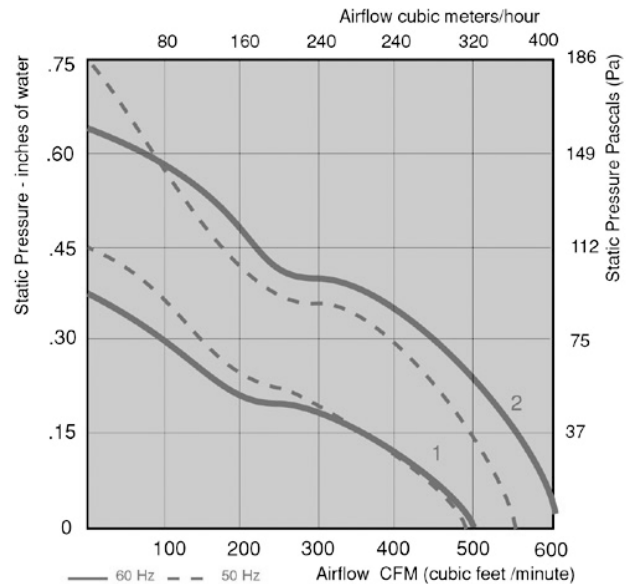
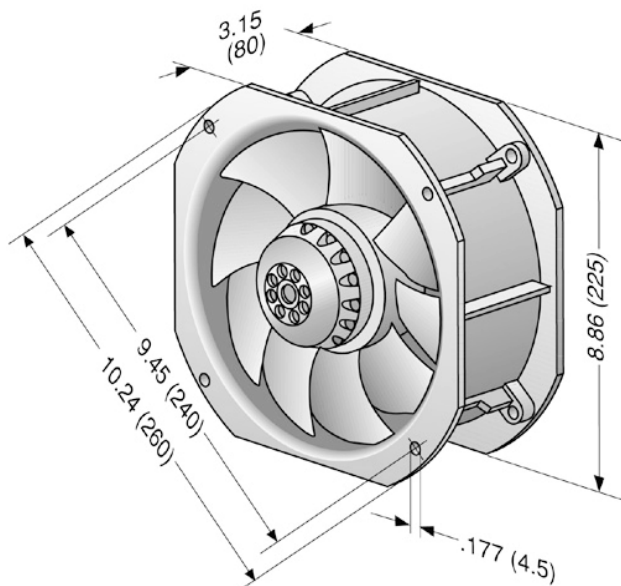
Tubeaxial

225x225x80mm



- AC fans with external rotor shaded-pole motor. Impedance protected against overloading.
- Die-cast aluminum housing. Impeller of sheet-steel, directly welded onto rotor.
- Air exhaust over struts. Rotational direction CCW looking at rotor.
- Mounting from either face using four 4.5 mm holes.
- Electrical connection via 2 flat pin terminals 2.8 x 0.5 mm.
- Mounting from either face using 2 4.3 mm (.169") holes.
- UL, CSA, VDE approvals on some models, please contact application engineering.

Part Number	CFM @ 0	Curve	Volts	Hertz	Power (W)	dBA	Max Ambient Temp C	Wgt. (lbs)	Type Of Bearing	Features
W2E200-HH82-01	500	1	115	50/60	60	56	75	4.38	Ball	Terminal Block
W2E200-HH86-01	607	2	115	50/60	80	61	75	4.38	Ball	Terminal Block
W2E200-HH64-05	500	1	230	50/60	60	56	75	4.38	Ball	Terminal Block
W2E200-HH38-01	607	2	230	50/60	80	61	75	4.38	Ball	Terminal Block



e-mail: sales@ebm.com • TEL: 860-674-1515 • FAX: 860-674-8536
 ebm Industries, Inc., 100 Hyde Road, Farmington, CT 06034 USA
 ebm Industries, Inc., 2003 © ebm Industries, Inc. reserves the right to change any specifications or data without notice