

Engineering Sample Specifications

CUSTOMER :
DESCRIPTION : **MagLev Motor Fan**
DIMENSIONS : **8X8X5 mm**
MODEL : **UF385-10**
P/N :

ENGINEER	<i>S.g.t. 3/17</i>	APPROVAL	<i>yjm 3/17</i>
SSR NO.	ES0611184	ISSUE DATE	03.06.2007
建準電機工業股份有限公司 SUNONWEALTH ELECTRIC MACHINE INDUSTRY CO., LTD TEL:886-7-7163069(41 LINES) FAX:886-7-7163086/87/88 WEB PAGE : http://www.sunon.com.tw			

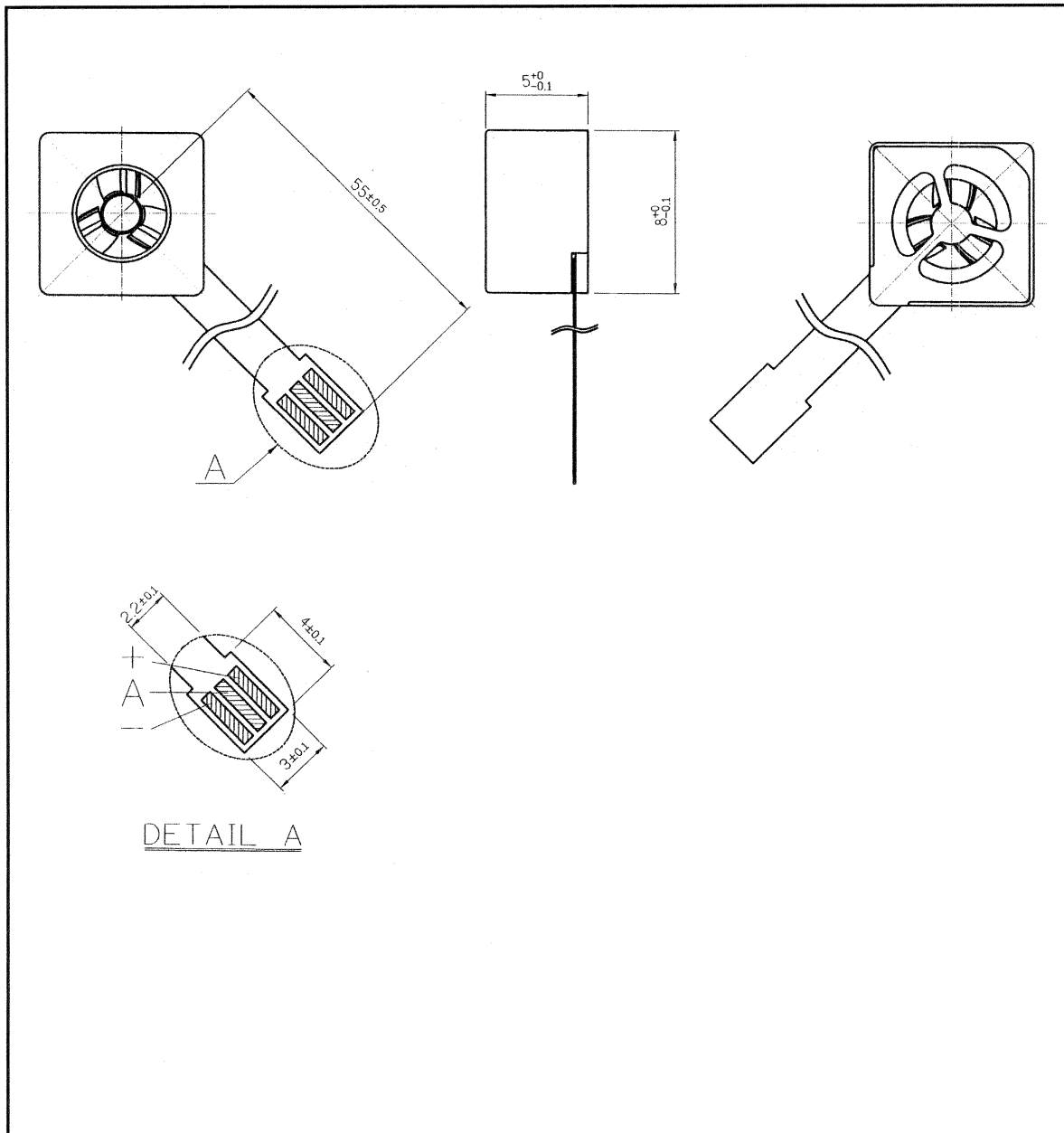
1. Construction

MOTOR DESIGN	DC brushless 6 pole motor design.
BEARING SYSTEM	Vapo bearing system
DIMENSIONS	See Page 4
MATERIALS OF FRAME	Thermoplastic LCP A130
MATERIALS OF FAN BLADE	Thermoplastic LCP A130
DIRECTION OF ROTATION	Counter-clockwise viewed from front of fan blade
Tolerance	±15% on rated power and current.
WEIGHT	0.44 g

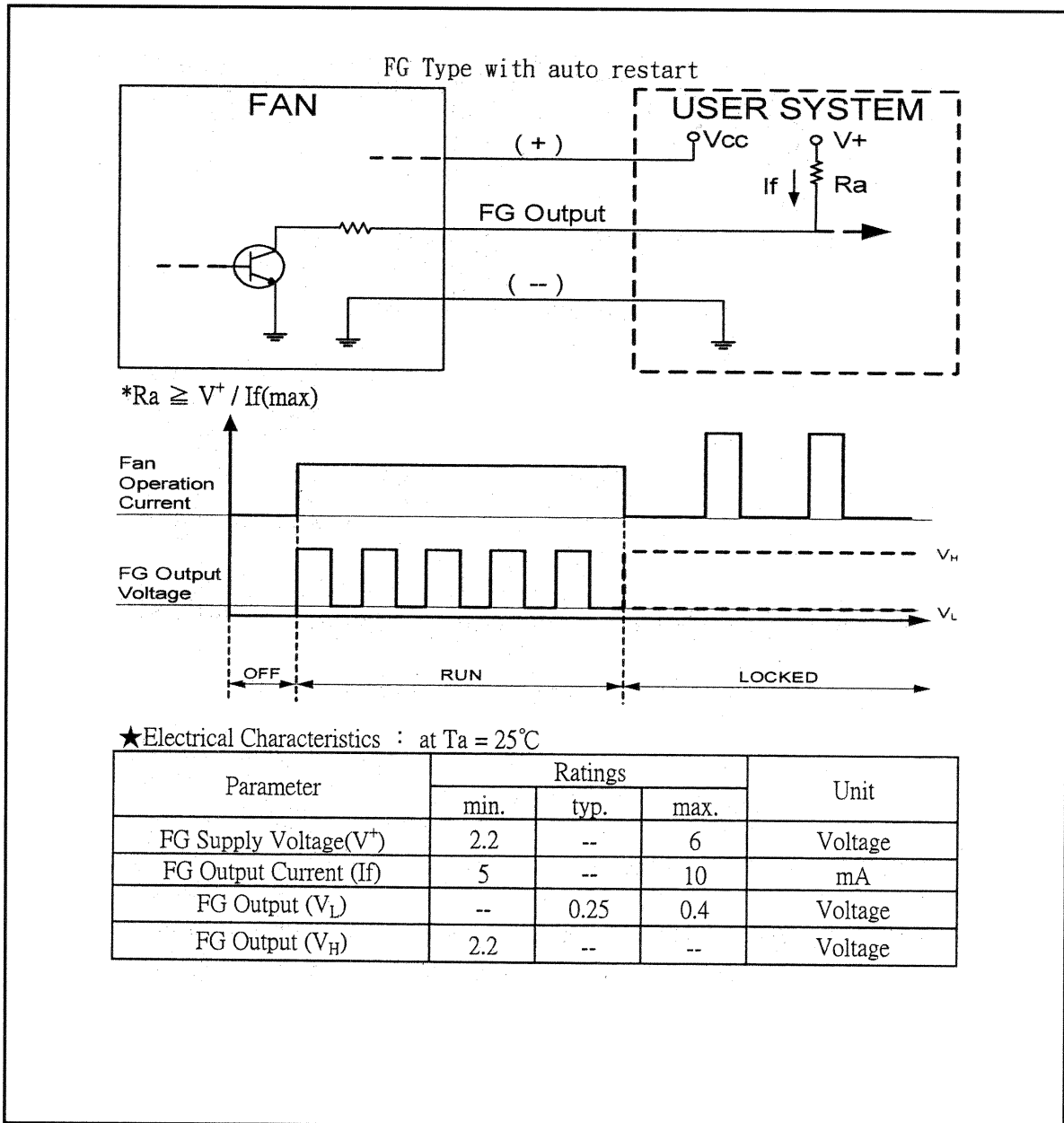
2. Rating

RATED VOLTAGE	3 VDC
STARTING VOLTAGE	2.2 VDC (25 deg. C POWER ON/OFF)
OPERATING VOLTAGE RANGE	2.2 ~ 3.5 VDC
RATED CURRENT	65 mA
RATED POWER CONSUMPTION	0.20 WATTS
AIR FLOW	0.015 CFM (0.43 l/min)
STATIC PRESSURE	0.015 Inch-H ₂ O (3.7 Pa)
ACOUSTIC NOISE / 0.02M	27.4 dB(A)
RATED SPEED	14000 RPM ± 30%
OPERATING TEMPERATURE	-10 to + 70 deg. C
STORAGE TEMPERATURE	-40 to + 70 deg. C

3. Dimensions



4. FG Signal



5. Performance curve

