



ALL RIGHTS RESERVED. NO PORTION OF THIS PUBLICATION, WHETHER IN WHOLE OR IN PART CAN BE REPRODUCED WITHOUT THE EXPRESS WRITTEN CONSENT OF SPC TECHNOLOGY.

SPC-F005.DWG

REVISIONS

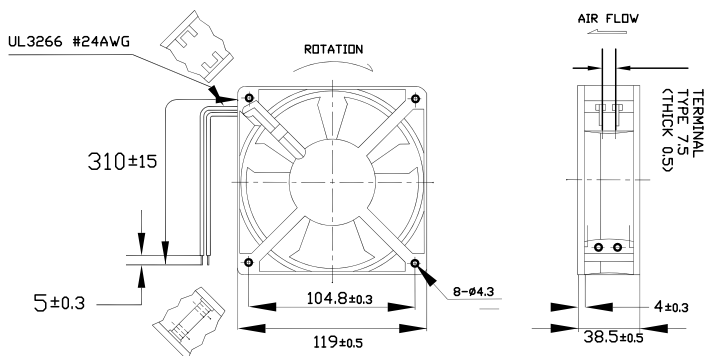
DOC. NO. SPC-F005 * Effective: 7/8/02 * DCP No: 1398

DCP #	REV	DESCRIPTION	DRAWN	DATE	CHECKD	DATE	APPRVD	DATE
XX	A	RELEASED	LG	24-7-08	JN	24-7-08	JN	24-7-08

2. Material

2-1. Frame : DIE-CAST ALUMINUM

2-2. Impeller : Thermoplastic PBT of UL 94V-0



1. Air Flow Direction: Toward label side.
2. Best Mounting Direction: Any orientation.



DISCLAIMER:
ALL STATEMENTS AND TECHNICAL INFORMATION CONTAINED HEREIN ARE BASED UPON INFORMATION AND/OR TESTS WE BELIEVE TO BE ACCURATE AND RELIABLE. SINCE CONDITIONS OF USE ARE BEYOND OUR CONTROL, THE USER SHALL DETERMINE THE SUITABILITY OF THE PRODUCT FOR THE INTENDED USE AND ASSUME ALL RISK AND LIABILITY WHATSOEVER IN CONNECTION THEREWITH.

TOLERANCES:
UNLESS OTHERWISE SPECIFIED, DIMENSIONS ARE FOR REFERENCE PURPOSES ONLY.

DRAWN BY:	DATE:
LG	24-7-08
CHECKED BY:	DATE:
JN	24-7-08
APPROVED BY:	DATE:
JN	24-7-08

DRAWING TITLE:			
Axial AC Fan			
SIZE	DWG. NO.	ELECTRONIC FILE	REV
A	MC32926	71P8704.dwg	A
SCALE:	U.O.M.: INCHES [mm]	SHEET: 1 OF 1	
NTS			

SPECIFICATIONS

1-1. Rated Voltage	:	115 VAC 50/60 Hz
1-4 Rated Speed	:	2850/3150 RPM ± 10%
1-5. Air Delivery	:	97/117 CFM
1-6. Static Pressure	:	0.34/0.39 Inch-H ₂ O
1-7. Rated Current	:	0.26/0.24 AMP
1-8. Input Power	:	22/20 WATTS
1-9. Noise Level	:	45/50 dB(A)
1-10. Direction of Rotation	:	Counter-clockwise viewed front of fan blade
1-11. Operating Temperature	:	-10 to +70 deg. C
1-12. Storage Temperature	:	-40 to +70 deg. C
1-13. Bearing System	:	ball bearing system
1-14. Weight	:	550g
1-15. Safety	:	UL/CUR Approvals
1-16. Vibration	:	Vibration of acceleration 1.5G and frequency 5~50~5Hz is applied in the 3 directions(X,Y,Z), in cycles of 1 minute each, for a total vibration time of 30 minutes.



ALL RIGHTS RESERVED. NO PORTION OF THIS PUBLICATION, WHETHER IN WHOLE OR IN PART CAN BE REPRODUCED WITHOUT THE EXPRESS WRITTEN CONSENT OF SPC TECHNOLOGY.

SIZE DWG. NO.

A

MC32926

ELECTRONIC FILE

71P8704.dwg

REV

A

SPC-F005.DWG

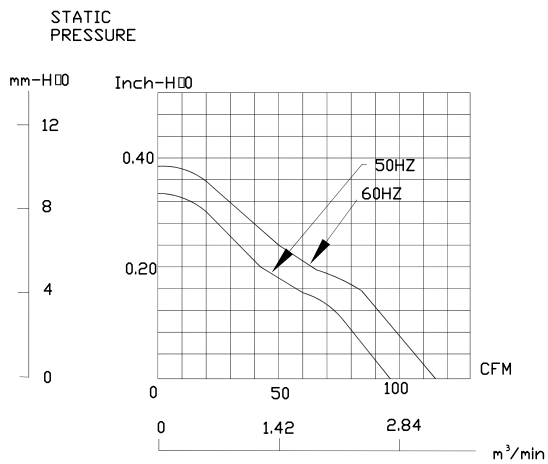
DOC. NO. SPC-F005 * Effective: 7/8/02 * DCP No: 1398

SCALE: NTS

U.O.M.: Millimeters

SHEET: 2 OF 4

PERFORMANCE CURVES



ALL RIGHTS RESERVED. NO PORTION OF THIS PUBLICATION, WHETHER IN WHOLE OR IN PART CAN BE REPRODUCED WITHOUT THE EXPRESS WRITTEN CONSENT OF SPC TECHNOLOGY.		SIZE A	DWG. NO. MC32926	ELECTRONIC FILE 71P8704.dwg	REV A
SPC-F005.DWG	DOC. NO. SPC-F005 * Effective: 7/8/02 * DCP No: 1398	SCALE: NTS	U.O.M.: Millimeters	SHEET: 2 OF 4	

CHARACTERISTIC

- | | | |
|--------------------------|---|---|
| 1. Motor Design | : | Reliable shaded-Pole Motor Construction. |
| 2. Insulation Resistance | : | 500Megohms minimum at 500 VDC. |
| 3. Dielectric Strength | : | 1800 VAC for one second. |
| 4. Motor Protection | : | Impedance Protected. |
| 5. Noise Level | : | Measured in a semi-anechoic chamber with background noise level below 15 dB(A).The fan is running in free air with microphone at a distance of one meter from the fan intake. |
| 6. Tolerances | : | ±15% on rated power and current. |
| 7. Air Performance | : | Measured by a double chamber. The values are recorded when the fan speed has stabilized at rated voltage. |



ALL RIGHTS RESERVED. NO PORTION OF THIS PUBLICATION, WHETHER IN WHOLE OR IN PART CAN BE REPRODUCED WITHOUT THE EXPRESS WRITTEN CONSENT OF SPC TECHNOLOGY.

SIZE DWG. NO.

A

MC32926

ELECTRONIC FILE

71P8704.dwg

REV

A

SPC-F005.DWG

DOC. NO. SPC-F005 * Effective: 7/8/02 * DCP No: 1398

SCALE: NTS

U.O.M.: Millimeters

SHEET: 2 OF 4