



ALL RIGHTS RESERVED. NO PORTION OF THIS PUBLICATION, WHETHER IN WHOLE OR IN PART CAN BE REPRODUCED WITHOUT THE EXPRESS WRITTEN CONSENT OF SPC TECHNOLOGY.

SPC-F005.DWG

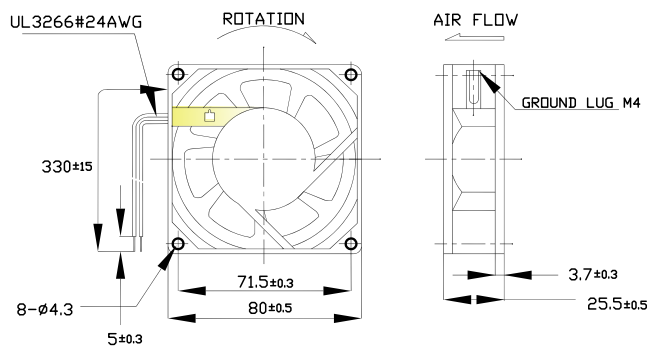
REVISIONS

DOC. NO. SPC-F005 \* Effective: 7/8/02 \* DCP No: 1398

DCP #	REV	DESCRIPTION	DRAWN	DATE	CHECKD	DATE	APPRVD	DATE
XX	A	RELEASED	LG	28-7-08	JN	28-7-08	JN	28-7-08

MATERIAL

- 2-1. Frame : DIE-CAST ALUMINUM
- 2-2. Impeller : Thermoplastic PBT of UL 94V-0
- 2-3. Lead Wire : UL3266,24awg,GRAY



1. Air Flow Direction : Toward impeller side.
2. Best Mounting Direction : Any orientation.



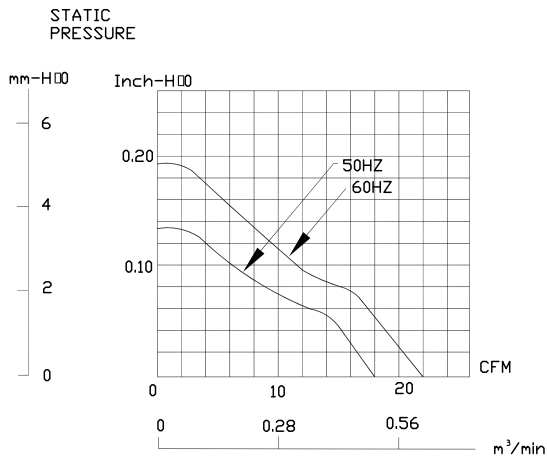
DISCLAIMER:  
ALL STATEMENTS AND TECHNICAL INFORMATION CONTAINED HEREIN ARE BASED UPON INFORMATION AND/OR TESTS WE BELIEVE TO BE ACCURATE AND RELIABLE. SINCE CONDITIONS OF USE ARE BEYOND OUR CONTROL, THE USER SHALL DETERMINE THE SUITABILITY OF THE PRODUCT FOR THE INTENDED USE AND ASSUME ALL RISK AND LIABILITY WHATSOEVER IN CONNECTION THEREWITH.

TOLERANCES:  
**UNLESS OTHERWISE SPECIFIED, DIMENSIONS ARE FOR REFERENCE PURPOSES ONLY.**

DRAWN BY:	DATE:
LG	28-7-08
CHECKED BY:	DATE:
JN	28-7-08
APPROVED BY:	DATE:
JN	28-7-08

DRAWING TITLE:			
Axial AC FAN			
SIZE	DWG. NO.	ELECTRONIC FILE	REV
A	MC32924	71P8702.dwg	A
SCALE: NTS	U.O.M.: INCHES [mm]	SHEET: 1 OF 1	

### PERFORMANCE CURVES



ALL RIGHTS RESERVED. NO PORTION OF THIS PUBLICATION, WHETHER IN WHOLE OR IN PART CAN BE REPRODUCED WITHOUT THE EXPRESS WRITTEN CONSENT OF SPC TECHNOLOGY.

SIZE DWG. NO.

A

MC32924

ELECTRONIC FILE

71P8702.dwg

REV

A

SPC-F005.DWG

DOC. NO. SPC-F005 \* Effective: 7/8/02 \* DCP No: 1398

SCALE: NTS

U.O.M.: Millimeters

SHEET: 2 OF 4

## SPECIFICATIONS

1-1. Rated Voltage	:	115 VAC
1-4. Rated Speed	:	2300/2750 RPM
1-5. Air Delivery	:	17/21 CFM
1-6. Static Pressure	:	0.12/0.18 Inch-H <sub>2</sub> O
1-7. Rated Current	:	0.12/0.10 Amp
1-8. Rated Power	:	12/11WATTS
1-9. Noise Level	:	29/33 dB(A)
1-10. Direction of Rotation	:	Counter-clockwise viewed from front of fan blade
1-11. Operating Temperature	:	-10 to +70 deg.C
1-12. Storage Temperature	:	-40 to +70 deg.C
1-13. Bearing System	:	Sleeve bearing system
1-14. Weight	:	260g
1-15. Safety	:	UL/CUR Approvals



ALL RIGHTS RESERVED. NO PORTION OF THIS PUBLICATION, WHETHER IN WHOLE OR IN PART CAN BE REPRODUCED WITHOUT THE EXPRESS WRITTEN CONSENT OF SPC TECHNOLOGY.

SIZE DWG. NO.

A

MC32924

ELECTRONIC FILE

71P8702.dwg

REV

A

SPC-F005.DWG

DOC. NO. SPC-F005 \* Effective: 7/8/02 \* DCP No: 1398

SCALE: NTS

U.O.M.: Millimeters

SHEET: 3 OF 4

### CHARACTERISTIC

- |                          |   |   |
|--------------------------|---|---|
| 1. Motor Design          | : | Reliable shaded-Pole Motor Construction.  |
| 2. Insulation Resistance | : | 500Megohms minimum at 500 VDC.  |
| 3. Dielectric Strength   | : | 1500 VAC for one second.  |
| 4. Motor Protection      | : | Impedance Protected.  |
| 5. Noise Level           | : | Measured in a semi-anechoic chamber with background noise level below 15 dB(A).The fan is running in free air with microphone at a distance of one meter from the fan intake. |
| 6. Tolerance             | : | ±20% on rated power and current.  |
| 7. Air Performance       | : | Measured by a double chamber. The values are recorded when the fan speed has stabilized at rated voltage.   |



ALL RIGHTS RESERVED. NO PORTION OF THIS PUBLICATION, WHETHER IN WHOLE OR IN PART CAN BE REPRODUCED WITHOUT THE EXPRESS WRITTEN CONSENT OF SPC TECHNOLOGY.

SIZE DWG. NO.

A

MC32924

ELECTRONIC FILE

71P8702.dwg

REV

A

SPC-F005.DWG

DOC. NO. SPC-F005 \* Effective: 7/8/02 \* DCP No: 1398

SCALE: NTS

U.O.M.: Millimeters

SHEET: 4 OF 4