



ALL RIGHTS RESERVED. NO PORTION OF THIS PUBLICATION, WHETHER IN WHOLE OR IN PART, CAN BE REPRODUCED WITHOUT THE EXPRESS WRITTEN CONSENT OF SPC TECHNOLOGY.

SPC-F005.DWG

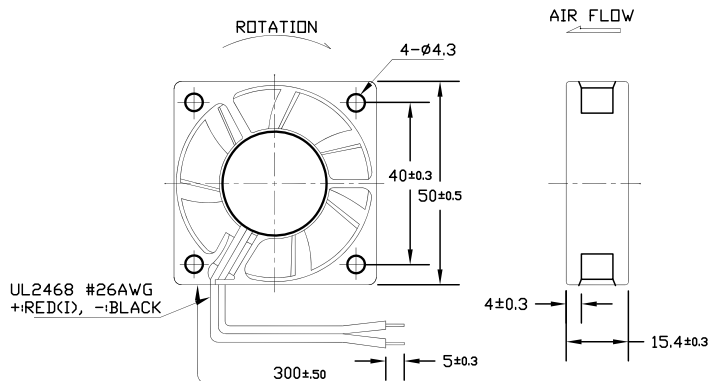
REVISIONS

DOC. NO. SPC-F005 \* Effective: 7/8/02 \* DCP No. 1398

| DCP # | REV | DESCRIPTION | DRAWN | DATE     | CHECKD | DATE     | APPRVD | DATE     |
|-------|-----|-------------|-------|----------|--------|----------|--------|----------|
| XX    | XX  | XXXX        | XXXX  | 11-08-08 | XXXX   | 11-08-08 | XXXX   | 11-08-08 |

MATERIAL

- 2-1. Frame : Thermoplastic PBT of UL 94V-0
- 2-2. Impeller : Thermoplastic PBT of UL 94V-0
- 2-3. Bobbin : Thermoplastic PBT of UL 94V-0
- 2-4. Lead Wire : UL2468, 26awg, +RED, -BLACK



Air Flow Direction: Toward label side.



DISCLAIMER:  
ALL STATEMENTS AND TECHNICAL INFORMATION CONTAINED HEREIN ARE BASED UPON INFORMATION AND/OR TESTS WE BELIEVE TO BE ACCURATE AND RELIABLE. SINCE CONDITIONS OF USE ARE BEYOND OUR CONTROL, THE USER SHALL DETERMINE THE SUITABILITY OF THE PRODUCT FOR THE INTENDED USE AND ASSUME ALL RISK AND LIABILITY WHATSOEVER IN CONNECTION THEREWITH.

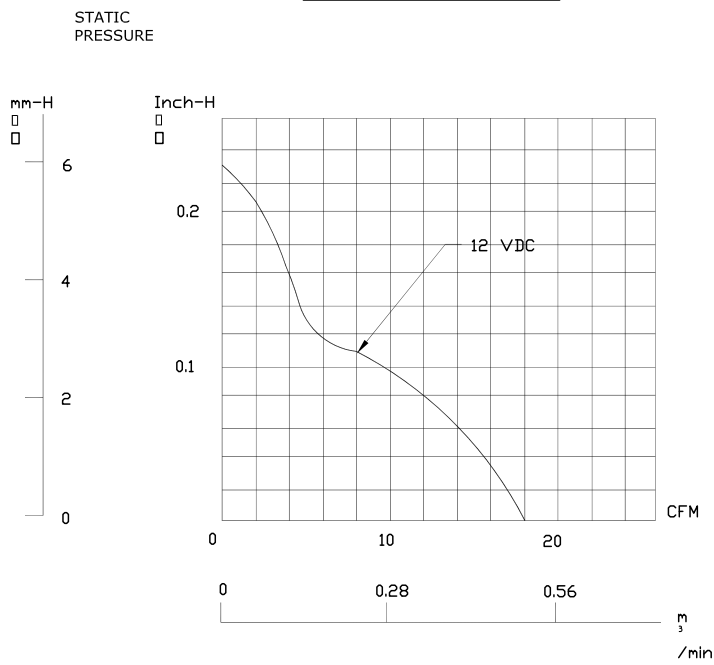
TOLERANCES:

UNLESS OTHERWISE SPECIFIED, DIMENSIONS ARE FOR REFERENCE PURPOSES ONLY.

|              |          |
|--------------|----------|
| DRAWN BY:    | DATE:    |
| XXXX         | 11-08-08 |
| CHECKED BY:  | DATE:    |
| XXXX         | 11-08-08 |
| APPROVED BY: | DATE:    |
| XXXX         | 11-08-08 |

|                  |                     |                 |     |
|------------------|---------------------|-----------------|-----|
| DRAWING TITLE:   |                     |                 |     |
| DC BRUSHLESS FAN |                     |                 |     |
| SIZE             | DWG. NO.            | ELECTRONIC FILE | REV |
| A                | MC32918             | 71P8696         | A   |
| SCALE: NTS       | U.D.M.: INCHES [mm] | SHEET: 1 OF 3   |     |

### PERFORMANCE CURVES



ALL RIGHTS RESERVED. NO PORTION OF THIS PUBLICATION, WHETHER IN WHOLE OR IN PART CAN BE REPRODUCED WITHOUT THE EXPRESS WRITTEN CONSENT OF SPC TECHNOLOGY.

SIZE DWG. NO.

A

MC32918

ELECTRONIC FILE

71P8696

REV

A

SPC-F005.DWG

DOC. NO. SPC-F005 \* Effective: 7/8/02 \* DCP No: 1398

SCALE: NTS

U.O.M.: Millimeters

SHEET: 2 OF 3

### SPECIFICATIONS

|                              |   |  |
|------------------------------|---|--|
| 1-1. Rated Voltage           | : | 12 VDC   |
| 1-2. Operating Voltage Range | : | 6-13.8 VDC                                       |
| 1-3. Starting Voltage        | : | 6 VDC (25 deg. C POWER ON/OFF)                   |
| 1-4. Rated Speed             | : | 5800 RPM $\pm$ 20%                               |
| 1-5. Air Delivery            | : | 17 CFM   |
| 1-6. Static Pressure         | : | 0.23 Inch-H <sub>2</sub> O                       |
| 1-7. Rated Current           | : | 0.087 Amp  |
| 1-8. Rated Power             | : | 1.0 WATTS  |
| 1-9. Noise Level             | : | 33 dB(A)   |
| 1-10. Direction of Rotation  | : | Counter-clockwise viewed from front of fan blade |
| 1-11. Operating Temperature  | : | -10 to +70 deg.C                                 |
| 1-12. Storage Temperature    | : | -40 to +70 deg.C                                 |
| 1-13. Bearing System         | : | VAPD bearing system                              |
| 1-14. Weight                 | : | 38g  |
| 1-15. Safety                 | : | UL/CUR Approvals                                 |



ALL RIGHTS RESERVED. NO PORTION OF THIS PUBLICATION, WHETHER IN WHOLE OR IN PART CAN BE REPRODUCED WITHOUT THE EXPRESS WRITTEN CONSENT OF SPC TECHNOLOGY.

SIZE DWG. NO.

A

MC32918

ELECTRONIC FILE

71P8696

REV

A

SPC-F005.DWG

DOC. NO. SPC-F005 \* Effective: 7/8/02 \* DCP No: 1398

SCALE: NTS

U.O.M.: Millimeters

SHEET: 3 OF 3