



ALL RIGHTS RESERVED. NO PORTION OF THIS PUBLICATION, WHETHER IN WHOLE OR IN PART, CAN BE REPRODUCED WITHOUT THE EXPRESS WRITTEN CONSENT OF SPC TECHNOLOGY.

SPC-F005.DWG

REVISIONS

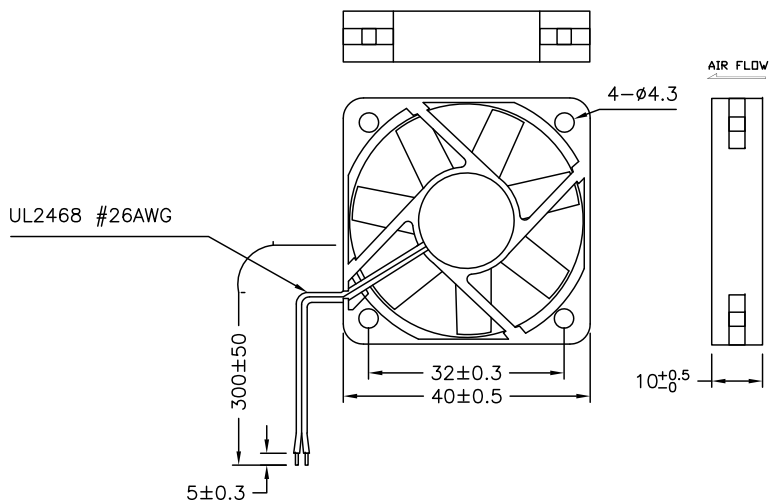
DOC. NO. SPC-F005 * Effective: 7/8/02 * DCP No: 1398

DCP #	REV	DESCRIPTION	DRAWN	DATE	CHECKD	DATE	APPRVD	DATE
1993	A	Released	JN	04/25/09	JWM	04/25/09	JWM	04/25/09

MATERIAL

- 2-1. Frame : Thermoplastic PBT of UL 94V-0
- 2-2. Impeller : Thermoplastic PBT of UL 94V-0
- 2-3. Bobbin : Thermoplastic PBT of UL 94V-0
- 2-4. Lead Wire : UL2468,26 awg, +RED, -BLACK

ROTATION



- 1. Air Flow Direction: Toward label side.
- 2. Best Mounting Direction: Any orientation.

Units:mm



DISCLAIMER:
ALL STATEMENTS AND TECHNICAL INFORMATION CONTAINED HEREIN ARE BASED UPON INFORMATION AND/OR TESTS WE BELIEVE TO BE ACCURATE AND RELIABLE. SINCE CONDITIONS OF USE ARE BEYOND OUR CONTROL, THE USER SHALL DETERMINE THE SUITABILITY OF THE PRODUCT FOR THE INTENDED USE AND ASSUME ALL RISK AND LIABILITY WHATSOEVER IN CONNECTION THEREWITH.

TOLERANCES:
UNLESS OTHERWISE SPECIFIED, DIMENSIONS ARE FOR REFERENCE PURPOSES ONLY.

DRAWN BY:	DATE:
Jason Nash	04/25/09
CHECKED BY:	DATE:
Jeff McVicker	04/25/09
APPROVED BY:	DATE:
Jeff McVicker	04/25/09

DRAWING TITLE:			
DC Brushless Fan			
SIZE	DWG. NO.	ELECTRONIC FILE	REV
A	MC32916	71P8694.dwg	A
SCALE:	U.O.M.: INCHES [mm]	SHEET: 1 OF 4	
NTS			

CHARACTERISTICS

- | | | |
|---------------------------------|---|--|
| 1. Motor Design | : | Patented single-coil DC brushless 8 pole motor design. |
| 2. Insulation Resistance | : | More than 500 Megohms minimum at 500 VDC. |
| 3. Dielectric Strength | : | Applied AC 500V for a minute or AC 600V for 2 sec.between housing and lead wire |
| 4. Input power, Current & Speed | : | Measured after continuous 10 minute operation at rated voltage in clean air, and at ambient temperature of 25°C |
| 5. Noise Level | : | Measured in a semi-anechoic chamber
with background noise level below 15
dB(A). The fan is running in free air with the
microphone at a distance of one meter
from the fan intake. |
| 6. Tolerance | : | ±15% on rated power and current. |
| 7. Air Performance | : | Measured by a double chamber. The values
are recorded when the fan speed has stabilized
at rated voltage. |



ALL RIGHTS RESERVED. NO PORTION OF THIS PUBLICATION, WHETHER IN WHOLE OR IN PART CAN BE REPRODUCED WITHOUT THE EXPRESS WRITTEN CONSENT OF SPC TECHNOLOGY.

SIZE DWG. NO.

A

MC32916

ELECTRONIC FILE

71P8694.dwg

REV

A

SPC-F005.DWG

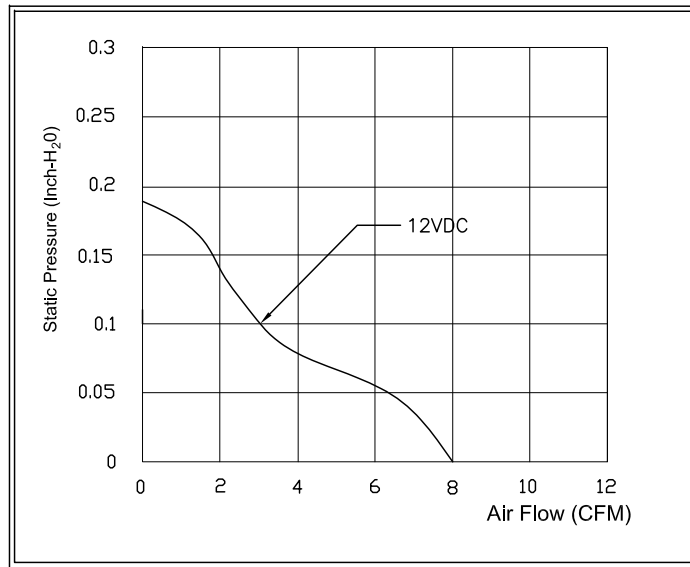
DOC. NO. SPC-F005 * Effective: 7/8/02 * DCP No: 1398

SCALE: NTS

U.O.M.: Millimeters

SHEET: 2 OF 4

PERFORMANCE CURVES



ALL RIGHTS RESERVED. NO PORTION OF THIS PUBLICATION, WHETHER IN WHOLE OR IN PART CAN BE REPRODUCED WITHOUT THE EXPRESS WRITTEN CONSENT OF SPC TECHNOLOGY.

SIZE DWG. NO.

A

MC32916

ELECTRONIC FILE

71P8694.dwg

REV

A

SPC-F005.DWG

DOC. NO. SPC-F005 * Effective: 7/8/02 * DCP No: 1398

SCALE: NTS

U.O.M.: Millimeters

SHEET: 3 OF 4

SPECIFICATIONS

1-1. Rated Voltage	:	5 VAC
1-4. Rated Speed	:	7000 RPM \pm 20%
1-5. Air Delivery	:	8.0 CFM
1-6. Static Pressure	:	0.19 Inch-H ₂ O
1-7. Rated Current	:	24 Amp
1-8. Rated Power	:	1.2 WATTS
1-9. Noise Level	:	32 dB(A)
1-10. Direction of Rotation	:	Counter-clockwise viewed from front of fan blade
1-11. Operating Temperature	:	-10 to +70 deg.C
1-12. Storage Temperature	:	-40 to +70 deg.C
1-13. Bearing System	:	VAPD bearing system
1-14. Weight	:	17g
1-15. Safety	:	UL/CUR Approvals



ALL RIGHTS RESERVED. NO PORTION OF THIS PUBLICATION, WHETHER IN WHOLE OR IN PART CAN BE REPRODUCED WITHOUT THE EXPRESS WRITTEN CONSENT OF SPC TECHNOLOGY.

SIZE DWG. NO.

A

MC32916

ELECTRONIC FILE

71P8694.dwg

REV

A

SPC-F005.DWG

DOC. NO. SPC-F005 * Effective: 7/8/02 * DCP No: 1398

SCALE: NTS

U.O.M.: Millimeters

SHEET: 4 OF 4