



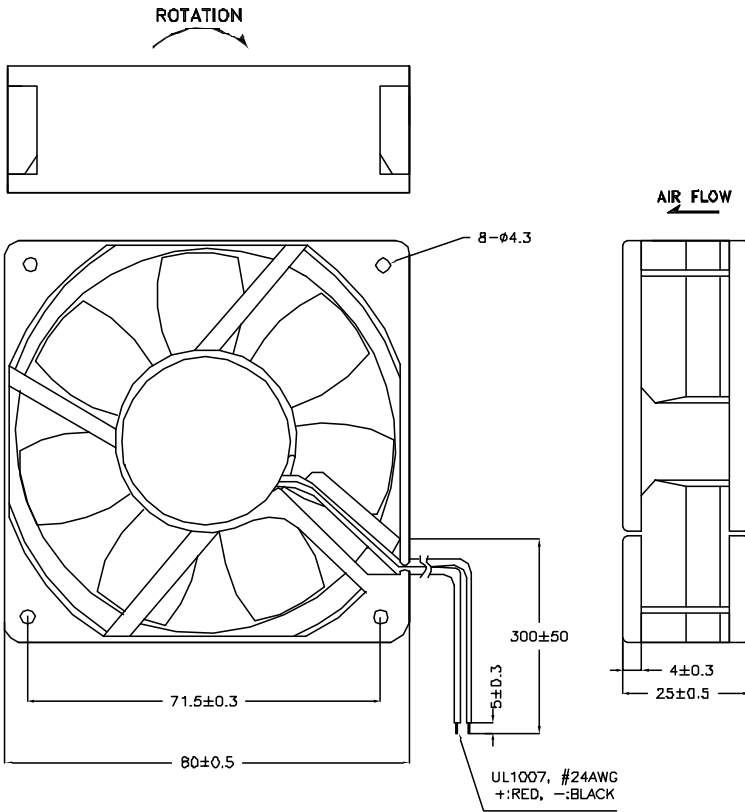
ALL RIGHTS RESERVED. NO PORTION OF THIS PUBLICATION, WHETHER IN WHOLE OR IN PART, CAN BE REPRODUCED WITHOUT THE EXPRESS WRITTEN CONSENT OF SPC TECHNOLOGY.

SPC-F005.DWG

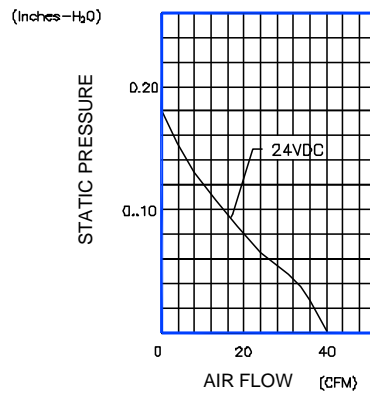
REVISIONS

DOC. NO. SPC-F005 * Effective: 7/8/02 * DCP No: 1308

DCP #	REV	DESCRIPTION	DRAWN	DATE	CHECKD	DATE	APPRVD	DATE
1993		Released	JN	08/07/08	JN	08/07/08	JN	08/07/08



PERFORMANCE CURVES



SPECIFICATIONS:

- Rated Voltage: 24 VDC
- Bearing: Vapo Bearing System
- Rated Current: 0.07 AMP
- Operating Voltage Range: 8~27.6VDC
- Starting Voltage: 8 VCD (25 deg.C Power on/off)
- Rated Power: 1.7 WATTS
- Rated Speed: 3000 RPM \pm 10%
- Air Delivery: 40 CFM
- Static Pressure: 0.18 Inch-H₂O
- Noise Level: 33 dB(A)
- Weight: 83g
- Operating Temperature: -10 to +70 deg.C
- Storage Temperature: -40 to +70 deg.C
- Safety: UL/CUR/CE Approved

DISCLAIMER:
ALL STATEMENTS AND TECHNICAL INFORMATION CONTAINED HEREIN ARE BASED UPON INFORMATION AND/OR TESTS WE BELIEVE TO BE ACCURATE AND RELIABLE. SINCE CONDITIONS OF USE ARE BEYOND OUR CONTROL, THE USER SHALL DETERMINE THE SUITABILITY OF THE PRODUCT FOR THE INTENDED USE AND ASSUME ALL RISK AND LIABILITY WHATSOEVER IN CONNECTION THEREWITH.

TOLERANCES:
UNLESS OTHERWISE SPECIFIED, DIMENSIONS ARE FOR REFERENCE PURPOSES ONLY.

DRAWN BY:	DATE:
Jason Nash	08/07/08
CHECKED BY:	DATE:
Jason Nash	08/07/08
APPROVED BY:	DATE:
Jason Nash	08/07/08

DRAWING TITLE: DC Fan; Supply Voltage:24VDC, Axial			
SIZE	DWG. NO.	ELECTRONIC FILE	REV
A	MC23294	75M2182.DWG	A
SCALE: NTS	U.Q.M.: Millimeters	SHEET: 1	OF 1