



ALL RIGHTS RESERVED. NO PORTION OF THIS PUBLICATION, WHETHER IN WHOLE OR IN PART CAN BE REPRODUCED WITHOUT THE EXPRESS WRITTEN CONSENT OF SPC TECHNOLOGY.

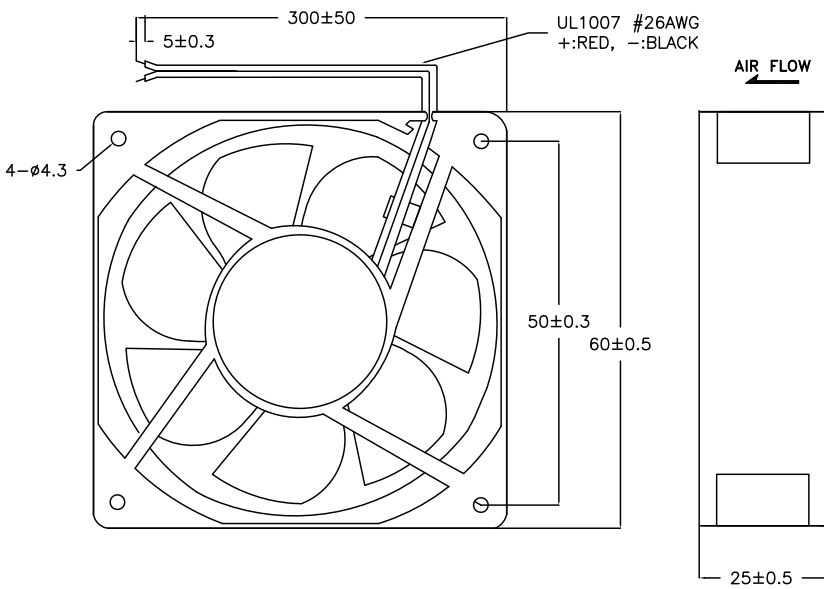
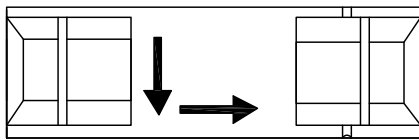
SPC-F005.DWG

REVISIONS

DOC. NO. SPC-F005 * Effective: 7/8/02 * DCP No: 1398

| DCP # | REV | DESCRIPTION | DRAWN | DATE | CHECKD | DATE | APPRVD | DATE |
|-------|-----|----------------------|-------|----------|--------|----------|--------|----------|
| 1993 | A | Released | JN | 07/16/08 | JWM | 07/16/08 | JWM | 07/16/08 |
| 2067 | B | Listing Info Updated | JN | 08-25-09 | JN | 08-25-09 | JN | 08-25-09 |

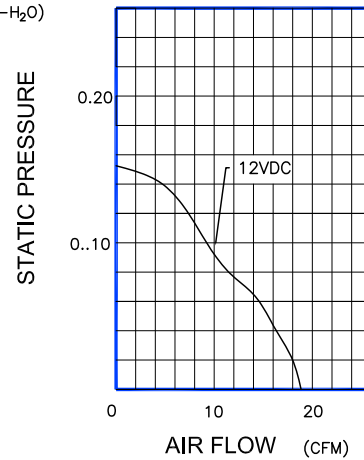
ROTATION



PERFORMANCE CURVES



(Inches-H₂O)



SPECIFICATIONS:

- Rated Voltage: 12 VDC
- Bearing: Vapo Bearing System
- Rated Current: 0.07 Amp
- Operating Voltage Range: 4.5~13.8VDC
- Starting Voltage: 4.5VDC (25 deg.C Power on/off)
- Rated Power: 0.8 WATTS
- Rated Speed: 3800 RPM±15%
- Air Delivery: 19.3 CFM
- Static Pressure: 0.15 Inch-H₂O
- Noise Level: 29 dB(A)
- Weight: 55 g
- Operating Temperature: -10 to +70 deg.C
- Storage Temperature: -40 to +70 deg.C
- Safety: UL/CUR Approved

DISCLAIMER:
ALL STATEMENTS AND TECHNICAL INFORMATION CONTAINED HEREIN ARE BASED UPON INFORMATION AND/OR TESTS WE BELIEVE TO BE ACCURATE AND RELIABLE. SINCE CONDITIONS OF USE ARE BEYOND OUR CONTROL, THE USER SHALL DETERMINE THE SUITABILITY OF THE PRODUCT FOR THE INTENDED USE AND ASSUME ALL RISK AND LIABILITY WHATSOEVER IN CONNECTION THEREWITH.

TOLERANCES:
UNLESS OTHERWISE SPECIFIED, DIMENSIONS ARE FOR REFERENCE PURPOSES ONLY.

| | |
|--------------|----------|
| DRAWN BY: | DATE: |
| Jason Nash | 07/16/08 |
| CHECKED BY: | DATE: |
| JWM | 07/16/08 |
| APPROVED BY: | DATE: |
| JWM | 07/16/08 |

| | | | |
|--|----------------------------|---------------------------------------|-----------------|
| DRAWING TITLE: Axial Fan, DC, 12 VDC | | | |
| SIZE A | DWG. NO. MC23283 | ELECTRONIC FILE 75M2172.DWG | REV A |
| SCALE: NTS | U.O.M.: Millimeters | SHEET: 1 OF 1 | |