



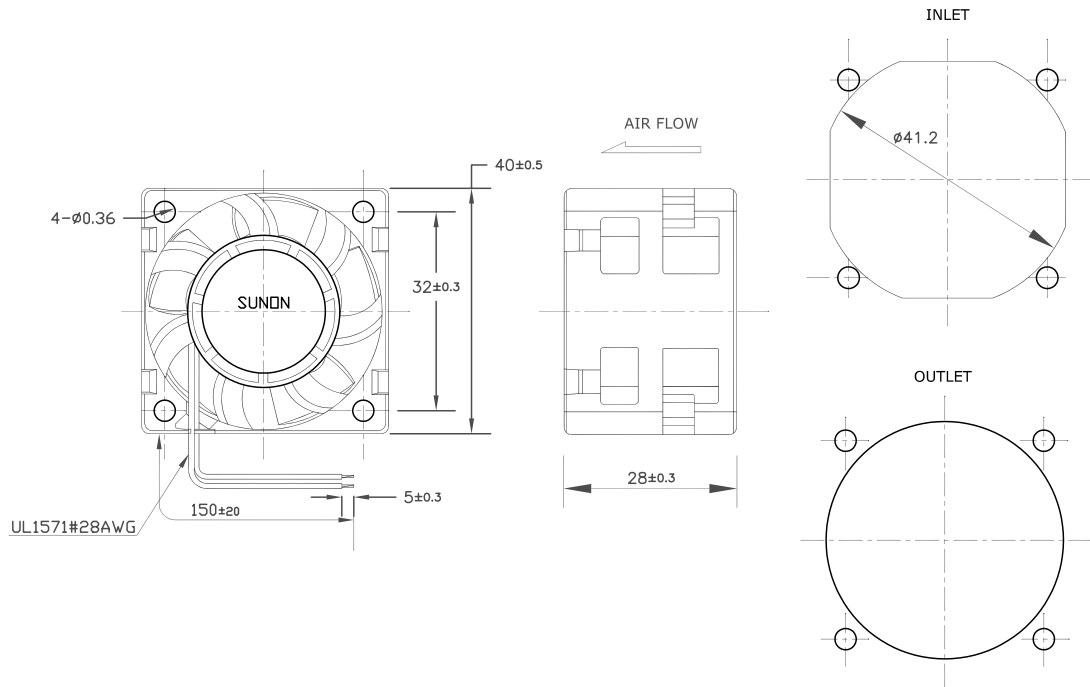
ALL RIGHTS RESERVED. NO PORTION OF THIS PUBLICATION, WHETHER IN WHOLE OR IN PART CAN BE REPRODUCED WITHOUT THE EXPRESS WRITTEN CONSENT OF SPC TECHNOLOGY.

SPC-F005.DWG

REVISIONS

DOC. NO. SPC-F005 * Effective: 7/8/02 * DCP No: 1398

DCP #	REV	DESCRIPTION	DRAWN	DATE	CHECKD	DATE	APPRVD	DATE
XX	XX	XXXX	XXXX	07-08-08	XXXX	07-08-08	XXXX	07-08-08
XXXX	XXXX		XXXX	07-08-08	XXXX	07-08-08	XXXX	07-08-08



DISCLAIMER:
ALL STATEMENTS AND TECHNICAL INFORMATION CONTAINED HEREIN ARE BASED UPON INFORMATION AND/OR TESTS WE BELIEVE TO BE ACCURATE AND RELIABLE. SINCE CONDITIONS OF USE ARE BEYOND OUR CONTROL, THE USER SHALL DETERMINE THE SUITABILITY OF THE PRODUCT FOR THE INTENDED USE AND ASSUME ALL RISK AND LIABILITY WHATSOEVER IN CONNECTION THEREWITH.

TOLERANCES:
UNLESS OTHERWISE SPECIFIED, DIMENSIONS ARE FOR REFERENCE PURPOSES ONLY.

DRAWN BY:	DATE:
XXXX	07-08-08
CHECKED BY:	DATE:
XXXX	07-08-08
APPROVED BY:	DATE:
XXXX	07-08-08

DRAWING TITLE:			
POWER MOTOR FAN			
SIZE	DWG. NO.	ELECTRONIC FILE	REV
A	MC21684	PMD1204PQB1-A.(2)	U.GN
SCALE:	NTS	U.O.M.: INCHES [mm]	SHEET: 1 OF 1



ALL RIGHTS RESERVED. NO PORTION OF THIS PUBLICATION, WHETHER IN WHOLE OR IN PART CAN BE REPRODUCED WITHOUT THE EXPRESS WRITTEN CONSENT OF SPC TECHNOLOGY.

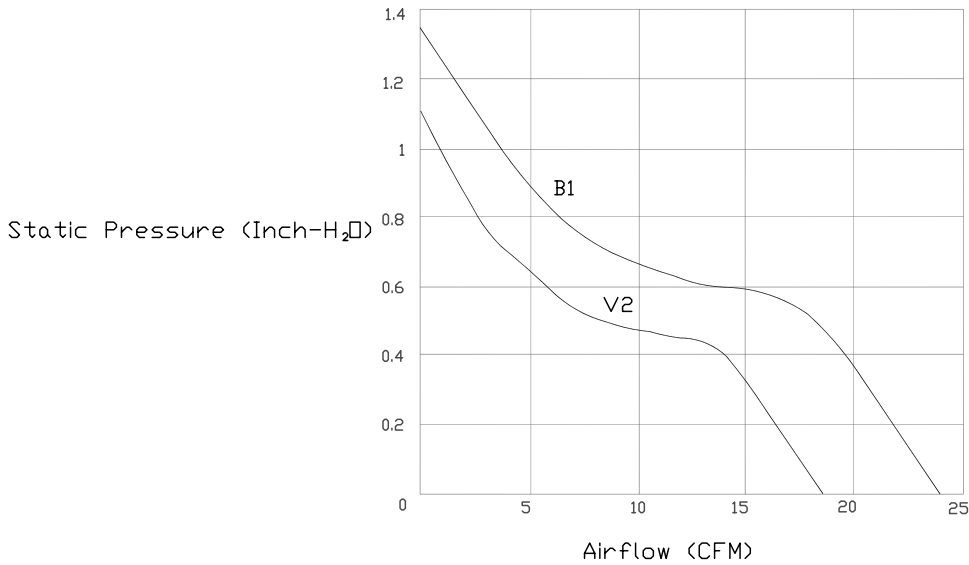
SPC-F005.DWG

REVISIONS

DOC. NO. SPC-F005 * Effective: 7/8/02 * DCP No: 1398

DCP #	REV	DESCRIPTION	DRAWN	DATE	CHECKD	DATE	APPRVD	DATE
XX	XX	XXXX	XXXX	07-08-08	XXXX	07-08-08	XXXX	07-08-08
XXXX	XXXX		XXXX	07-08-08	XXXX	07-08-08	XXXX	07-08-08

MODEL	P/N	Bearing ● VAPO ● 2BALL	Rating Voltage (VDC)	Power Current (AMP)	Power Consumption (WATTS)	Speed (RPM)	Air Flow (CFM)	Static Pressure (Inch-H ₂ O)	Noise (dBA)	Weight (g)
PMD1204PQB1-A	(2).U.GN	●	12	0.72	0.86	15000	24.0	1.34	55.5	46
PMD1204PQV1-A	U.GN	●	12	0.57	6.8	13000	18.5	1.10	53	46



- All model could be customized on voltage or any other requirements to fit your need.
- Specification subject to change without notice.



DISCLAIMER:
ALL STATEMENTS AND TECHNICAL INFORMATION CONTAINED HEREIN ARE BASED UPON INFORMATION AND/OR TESTS WE BELIEVE TO BE ACCURATE AND RELIABLE. SINCE CONDITIONS OF USE ARE BEYOND OUR CONTROL, THE USER SHALL DETERMINE THE SUITABILITY OF THE PRODUCT FOR THE INTENDED USE AND ASSUME ALL RISK AND LIABILITY WHATSOEVER IN CONNECTION THEREWITH.

TOLERANCES:

UNLESS OTHERWISE SPECIFIED, DIMENSIONS ARE FOR REFERENCE PURPOSES ONLY.

DRAWN BY:	DATE:
XXXX	07-08-08
CHECKED BY:	DATE:
XXXX	07-08-08
APPROVED BY:	DATE:
XXXX	07-08-08

DRAWING TITLE:

POWER MOTOR FAN

SIZE	DWG. NO.	ELECTRONIC FILE	REV
A	MC21684	PMD1204PQB1-A.(2).U.GN	
SCALE:	NTS	U.O.M.: INCHES [mm]	SHEET: 1 OF 1