



ALL RIGHTS RESERVED. NO PORTION OF THIS PUBLICATION, WHETHER IN WHOLE OR IN PART CAN BE REPRODUCED WITHOUT THE EXPRESS WRITTEN CONSENT OF SPC TECHNOLOGY.

SPC-F005.DWG

REVISIONS

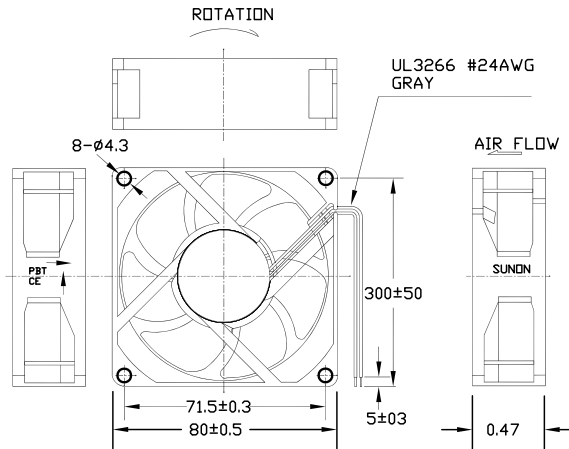
DOC. NO. SPC-F005 \* Effective: 7/8/02 \* DCP No. 1398

DCP #	REV	DESCRIPTION	DRAWN	DATE	CHECKD	DATE	APPRVD	DATE
XX	A	RELEASED	LG	05-08-08	JN	05-08-08	JN	05-08-08
2067	B	Listing Info Updated	JN	08-14-09	JN	08-14-09	JN	08-14-09

MATERIAL

2. Material

- 2.1. Frame : Thermoplastic PBT of UL 94V-0
- 2-2. Impeller : Thermoplastic PBT of UL 94V-0
- 2-3. Lead Wire : UL3266, 24awg, GRAY



- 1. Air Flow Direction : Toward label side.
- 2. Best Mounting Direction : Any orientation.



DISCLAIMER:  
ALL STATEMENTS AND TECHNICAL INFORMATION CONTAINED HEREIN ARE BASED UPON INFORMATION AND/OR TESTS WE BELIEVE TO BE ACCURATE AND RELIABLE. SINCE CONDITIONS OF USE ARE BEYOND OUR CONTROL, THE USER SHALL DETERMINE THE SUITABILITY OF THE PRODUCT FOR THE INTENDED USE AND ASSUME ALL RISK AND LIABILITY WHATSOEVER IN CONNECTION THEREWITH.

TOLERANCES:

UNLESS OTHERWISE SPECIFIED, DIMENSIONS ARE FOR REFERENCE PURPOSES ONLY.

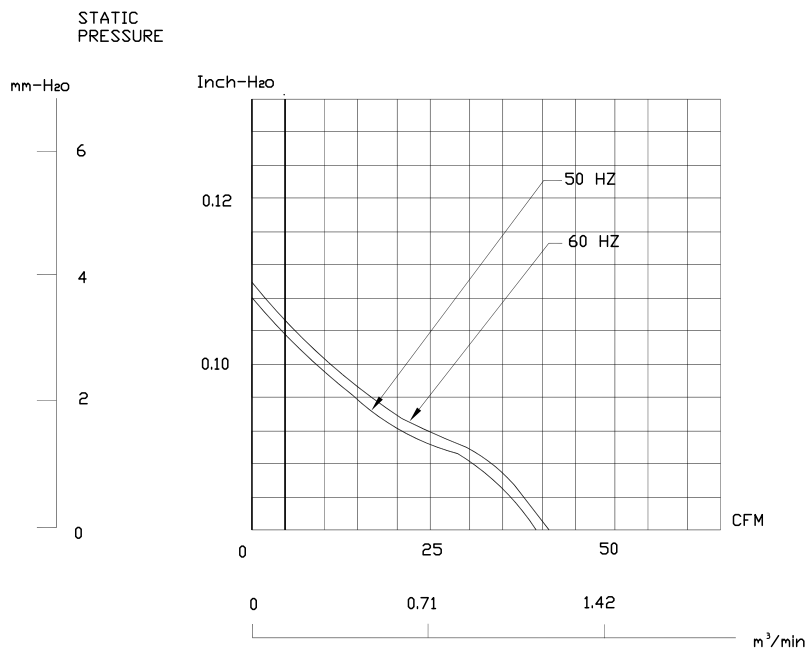
DRAWN BY:	DATE:
LG	05-08-08
CHECKED BY:	DATE:
JN	05-08-08
APPROVED BY:	DATE:
JN	05-08-08

DRAWING TITLE:

Axial AC Fan

SIZE	DWG. NO.	ELECTRONIC FILE	REV
A	MC21681	14M9037	B
SCALE: NTS	U.O.M.: INCHES [mm]	SHEET: 1 OF 4	

PERFORMANCE CURVES



ALL RIGHTS RESERVED. NO PORTION OF THIS PUBLICATION, WHETHER IN WHOLE OR IN PART CAN BE REPRODUCED WITHOUT THE EXPRESS WRITTEN CONSENT OF SPC TECHNOLOGY.

SIZE DWG. NO.

A

MC21681

ELECTRONIC FILE

14M9037

REV

B

SPC-F005.DWG

DOC. NO. SPC-F005 \* Effective: 7/8/02 \* DCP No: 1398

SCALE: NTS

U.O.M.: Millimeters

SHEET: 2 OF 4

### SPECIFICATIONS

1-1. Rated Voltage	:	220-240 VAC 50 HZ	220-240 VAC 60 HZ
1-2. Operating Voltage Range	:	150~250 VAC	
1-3. Starting Voltage	:	150 VAC (25deg.C POWER ON/OFF)	
1-4 Rated Speed	:	3200 RPM ± 20%	3300 RPM ± 20%
1-5. Air Delivery	:	40 CFM	41 CFM
1-6. Static Pressure	:	0.14 Inch-H <sub>2</sub> O	0.15 Inch H <sub>2</sub> O
1-7. Rated Current	:	209 mA (RMS)	220 mA (RMS)
		102 mA (TRUE RMS)	101 TRUE RMS
1-8. Input Power	:	4.6 WATTS	4.6 WATTS
1-9. Noise Level	:	32 dB(A)	33 dB(A)
1-10. Direction of Rotation	:	Counter-clockwise viewed from front of fan blade	
1-11. Operating Temperature	:	-10 to +70 deg. C	
1-12. Storage Temperature	:	-40 to +70 deg. C	
1-13. Bearing System	:	Vapo bearing system	
1-14. Weight	:	102.2g	
1-15. Safety	:	UL/CUR Approvals	
1-16. Vibration	:	Vibration of acceleration 1.5G and frequency 5~50~5Hz is applied in all 3 directions(X,Y,Z), in cycles of 1 minute each, for a total vibration time of 30 minutes.	



ALL RIGHTS RESERVED. NO PORTION OF THIS PUBLICATION, WHETHER IN WHOLE OR IN PART CAN BE REPRODUCED WITHOUT THE EXPRESS WRITTEN CONSENT OF SPC TECHNOLOGY.

SIZE DWG. NO.

A

MC21681

ELECTRONIC FILE

14M9037

REV

B

SPC-F005.DWG

DOC. NO. SPC-F005 \* Effective: 7/8/02 \* DCP No: 1398

SCALE: NTS

U.D.M.: Millimeters

SHEET: 3 OF 4

### **CHARACTERISTICS**

- |                          |   |  |
|--------------------------|---|--|
| 1. Motor Design          | : | DC brushless 4 pole motor design.  |
| 2. Insulation Resistance | : | 10Megohms minimum at 500 VDC   |
| 3. Dielectric Strength   | : | 1500 VAC for one second.   |
| 4. Motor protection      | : | Impedance protected.   |
| 5. Noise Level           | : | Measured in a semi-anechoic chamber with background noise level below 15 dB(A). The fan is running in free air with the microphone at a distance of one meter from the fan intake. |
| 6. Tolerance             | : | ±15% on rated power and current.   |
| 7. Air Performance       | : | Measured by a double chamber. The values are recorded when the fan speed has stabilized at rated voltage.  |



ALL RIGHTS RESERVED. NO PORTION OF THIS PUBLICATION, WHETHER IN WHOLE OR IN PART CAN BE REPRODUCED WITHOUT THE EXPRESS WRITTEN CONSENT OF SPC TECHNOLOGY.

SIZE DWG. NO.

A

MC21681

ELECTRONIC FILE

14M9037

REV

B

SPC-F005.DWG

DOC. NO. SPC-F005 \* Effective: 7/8/02 \* DCP No: 1398

SCALE: NTS

U.O.M.: Millimeters

SHEET: 4 OF 4