



ALL RIGHTS RESERVED. NO PORTION OF THIS PUBLICATION, WHETHER IN WHOLE OR IN PART, CAN BE REPRODUCED WITHOUT THE EXPRESS WRITTEN CONSENT OF SPC TECHNOLOGY.

SPC-F006.DWG

REVISIONS

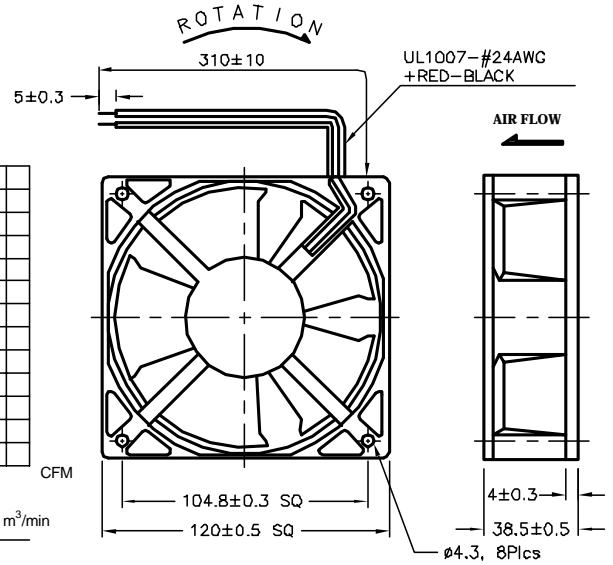
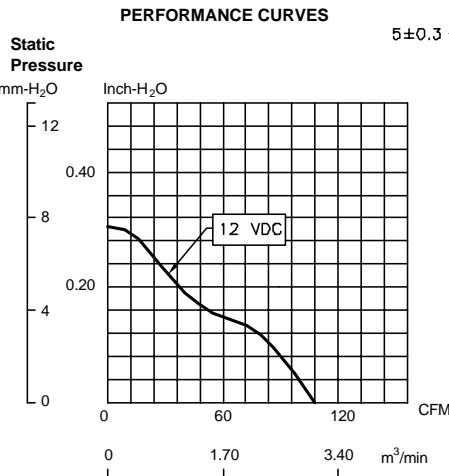
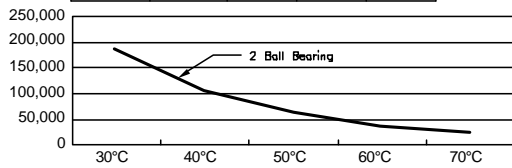
DOC. NO. SPC-F005 * Effective: 7/8/02 * DCP No: 1308

DCP #	REV	DESCRIPTION	DRAWN	DATE	CHECKD	DATE	APPRVD	DATE
1790	A	RELEASED	EO	2/20/06	TL	3/13/06	HO	3/13/06



RoHS Compliant

Life (h)	Temperature				
	30°C	40°C	50°C	60°C	70°C
	193104	111456	66485	40928	25920



SPECIFICATIONS:

- Rated Voltage: 12 VDC
 - Starting Voltage: 8 VDC(25°C power ON/OFF)
 - Operating Voltage Range: 8 ~ 13.8 VDC
 - Rated Current: 500 mA/MAX. 570mA ±15%
 - Rated Power: 6.0 Watts/MAX. 6.8 Watts ±15%
 - Rated Speed: 3100 RPM ±155 RPM
 - Air Delivery: 108 CFM
 - Static Pressure: 0.31 Inch-H₂O
 - Noise Level: 42 dB(A)
 - Direction of Rotation: Counter-clockwise viewed from front of fan blade
 - Air Flow Direction: Label Side
 - Best Mounting Direction: Any orientation
 - Operating Temperature: -10°C ~ +70°C
 - Storage Temperature: -40°C ~ +70°C
 - Bearing System: Precision Ball Bearing System
 - Weight: 326 g
 - Locked Rotor Protection: Automatic Restart Capability
- Note: In the case that the fan is locked by force while the electricity is on, an increase in coil temperature will be prevented by temporarily turning off the electrical power to the motor. The fan will automatically restart when the locked rotor condition is released.

- Motor Design: DC brushless 6 poles motor design.
- Frame, Impeller, and Bobbin Material: Thermoplastic PBT, UL94V-0
- Insulation Resistance: More than 500 Megohm between internal stator and lead wire (+) measured at DC 500 V
- Dielectric Strength: Applied AC 500V for one minute or AC 600V for 2 seconds between housing and lead wire (+)
- Vibration: Vibration of acceleration 1.5G and frequency 5~50-5Hz is applied in the 3 directions (X, Y, Z), in cycles of 1 minute for total vibration time of 30 minutes,

DISCLAIMER:
ALL STATEMENTS AND TECHNICAL INFORMATION CONTAINED HEREIN ARE BASED UPON INFORMATION AND/OR TESTS WE BELIEVE TO BE ACCURATE AND RELIABLE. SINCE CONDITIONS OF USE ARE BEYOND OUR CONTROL, THE USER SHALL DETERMINE THE SUITABILITY OF THE PRODUCT FOR THE INTENDED USE AND ASSUME ALL RISK AND LIABILITY WHATSOEVER IN CONNECTION THEREWITH.

TOLERANCES:
UNLESS OTHERWISE SPECIFIED, DIMENSIONS ARE FOR REFERENCE PURPOSES ONLY.

DRAWN BY:	DATE:
EKLAS ODISH	2/20/06
CHECKED BY:	DATE:
THOMAS LEE	3/13/06
APPROVED BY:	DATE:
HISHAM ODISH	3/13/06

DRAWING TITLE:		ELECTRONIC FILE		REV
Fan, Tubaxial, DC, Brushless, 120x120x38mm, 12 VDC, 2 Ball Bearing, Wire Lead Terminals		70K8508.DWG		A
SIZE	DWG. NO.			
A	MC19625			
SCALE: NTS	U.O.M.: Millimeters	SHEET: 1 OF 1		