

DC 6015



SIZE :

60x60x15mm (2.36"x2.36"x0.59")

CONSTRUCTION :

Glass fiber reinforced plastic:

Impeller and housing PBT are UL 94V-0 rating

OPERATING TEMPERATURE :

Ball bearing - 30°C to +75°C

Sleeve bearing - 10°C to +70°C

INSULATION RESISTANCE :

10meg Ohm min. at 500 VDC

(between frame and terminal)

DIELECTRIC STRENGTH :

5mA max. at 500 VAC 60Hz one minute

(between frame and terminal)

FUNCTION :

frequency generator signal option

WEIGHT :

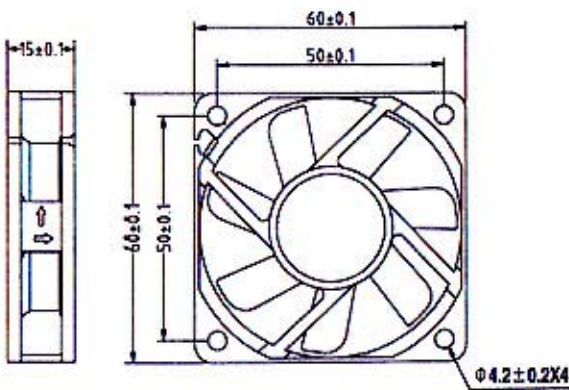
35 grams

Specifications

Specifications are subject to change without notice

MODEL NO.	BEARING	RATED VOLTAGE	OPERATING VOLTAGE RANGE	RATED CURRENT	RATED INPUT POWER	SPEED R.P.M.	MAX. AIR FLOW		MAX. AIR PRESSURE		NOISE dB-A
		VDC	V	A	W		m³/min	CFM	mmH₂O	IN H₂O	
BP601512M	Ball	12	10.2-13.8	0.16	1.92	4000	0.57	20.22	2.70	0.106	28.7
BS601512M	Ball & Sleeve	12	10.2-13.8	0.16	1.92	4000	0.57	20.22	2.70	0.106	28.7
BP601512H	Ball	12	10.2-13.8	0.18	2.16	4500	0.63	22.40	3.30	0.130	32.3
BS601512H	Ball & Sleeve	12	10.2-13.8	0.18	2.16	4500	0.63	22.40	3.30	0.130	32.3

Dimensions (mm)



Performance Curve

