

# DC 5010



**SIZE :**

50x50x10mm (1.97"x1.97"x0.39")

**CONSTRUCTION :**

Glass fiber reinforced plastic:

Impeller and housing PBT are UL 94V-0 rating

**OPERATING TEMPERATURE :**

Ball bearing - 30°C to +75°C

Sleeve bearing - 10°C to +70°C

**INSULATION RESISTANCE :**

10meg Ohm min. at 500 VDC

(between frame and terminal)

**DIELECTRIC STRENGTH :**

5mA max. at 500 VAC 60Hz one minute

(between frame and terminal)

**FUNCTION :**

frequency generator signal option

**WEIGHT :**

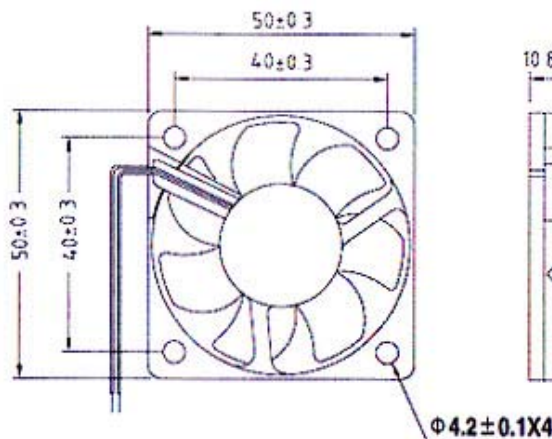
20 grams

## Specifications

Specifications are subject to change without notice

MODEL NO.	BEARING	RATED	OPERATING	RATED	RATED	SPEED	MAX. AIR		MAX. AIR		NOISE
		VOLTAGE	VOLTAGE	CURRENT	INPUT		FLOW	PRESSURE	IN H <sub>2</sub> O	dB-A	
		VDC	RANGE	A	POWER	R.P.M.	m <sup>3</sup> /min	CFM	mmH <sub>2</sub> O	IN H <sub>2</sub> O	
BP501012L	Ball	12	10.2-13.8	0.07	0.84	3500	0.212	7.49	1.20	0.047	20
SP501012L	Sleeve										
BS501012L	Ball & Sleeve										
BP501012M	Ball	12	10.2-13.8	0.10	1.20	4000	0.249	8.79	1.46	0.057	29
SP501012M	Sleeve										
BS501012M	Ball & Sleeve										
BP501012H	Ball	12	10.2-13.8	0.16	1.92	5500	0.345	12.21	2.54	0.099	32
SP501012H	Sleeve										
BS501012H	Ball & Sleeve										

### Dimensions (mm)



### Performance Curve

