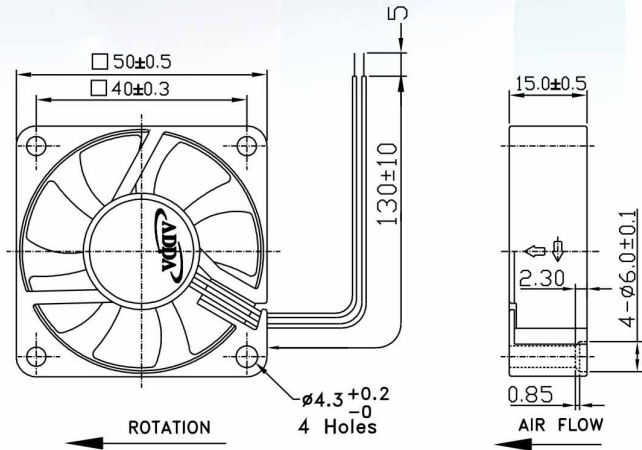


AD5015 SERIES



External Dimensions



Frame: Plastic (UL:94V-0)
 Impeller: Plastic (UL:94V-0)
 Bearing: Hydro bearing
 Lead wire: UL1007AWG26
 VOLTAGE AVAILABLE: 5V, 12V

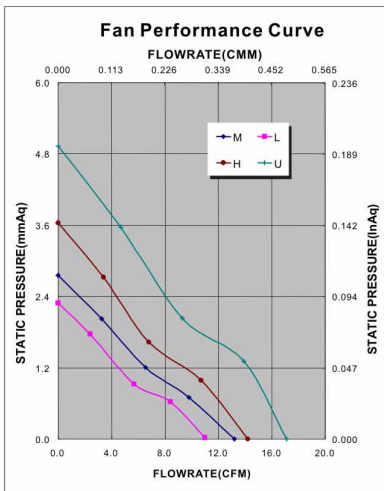
Specifications (Nominal)

*Noise is measured at the distance of one (1) meter from the axis of intake.

Bearing type: ⊙=Ball ⊛=Sleeve ○=1B1S ●=Hydro bearing

Frame size (mm)	Model No.	Bearing System Type	Rated Voltage (VDC)	Rated Current (A)	Actual Current (A)	Rated Power (W)	Actual Power (W)	Rated Speed (rpm)	Maximum AirFlow (CMM)	Maximum AirFlow (CFM)	Maximum Pressure (InAq)	Maximum Pressure (mmAq)	*Noise Level (dB/A)	Weight (g)
50x50x15	AD5005HX-D70	⊙ ⊛ ●	5	0.35	0.28	1.75	1.40	4800	0.402	14.20	0.146	3.64	30.9	
	AD5012LX-D70	⊙ ⊛ ●	12	0.08	0.08	0.96	0.96	3600	0.312	11.00	0.092	2.29	22.7	
	AD5012MX-D70	⊙ ⊛ ●	12	0.10	0.10	1.20	1.20	4300	0.374	13.20	0.110	2.76	29.0	29.0
	AD5012HX-D70	⊙ ⊛ ●	12	0.14	0.12	1.68	1.44	4800	0.402	14.20	0.146	3.64	30.9	
	AD5012UX-D70	⊙ ⊛ ●	12	0.20	0.20	2.40	2.40	5500	0.484	17.60	0.197	4.93	33.8	

Specifications subject to change without notice.



*Motor protective circuit and third lead wire functions

0	1	2	3	4	6	7	8	9	A	B
✓	✓	✓	✓		✓					

*Safety approvals

✓	✓		✓	✓