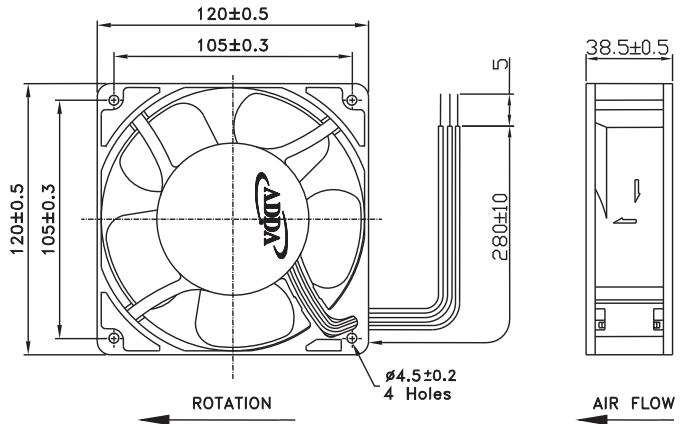


AD12038 SERIES



External Dimensions



Frame: Plastic(UL:94V-0)
 Impeller: Plastic(UL:94V-0)
 Bearing: Ball, Sleeve, Hypro bearing
 Lead wire: UL1007AWG24
 VOLTAGE AVAILABLE: 12V,24V,48V

Ps. Two different frame materials (Plastic and Aluminum) can be used for AD12038, please note which kind of material you're interested and inform your sales if needed.

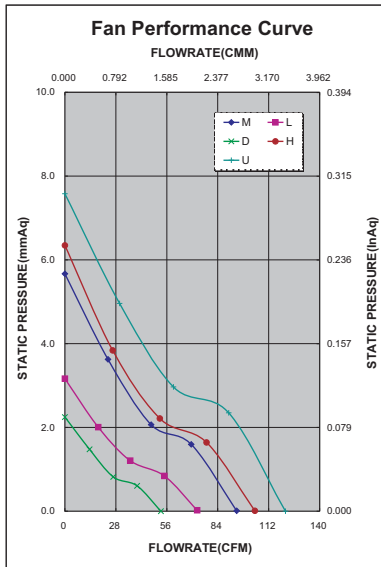
Specifications(Nominal)

*:Noise is measured at the distance of one (1) meter from the axis of intake.

Bearing type: ⊙=Ball * =Sleeve ○=1B1S ●=Hypro bearing

Frame size (mm)	Model No.	Bearing System Type	Rated Voltage (VDC)	Current (A)	Power (W)	Rated Speed (rpm)	Maximum AirFlow (CMM)	Maximum AirFlow (CFM)	Maximum Pressure (InAq)	Maximum Pressure (mmAq)	*Noise Level (dB/A)	Weight (g)
120x120x38	AD1212DB-F51	⊙ * ●	12	0.12	1.44	1500	1.618	57.20	0.085	1.16	28.4	297.0
	AD1212LB-F51	⊙ * ●	12	0.22	2.64	1950	2.026	71.60	0.128	3.25	36.2	
	AD1212MB-F51	⊙ * ●	12	0.34	4.08	2540	2.725	96.30	0.228	5.79	45.0	
	AD1212HB-F51	⊙ * ●	12	0.39	4.68	2800	2.982	105.40	0.265	6.73	46.7	
	AD1212UB-F51	⊙ * ●	12	0.62	7.44	3200	3.452	122.00	0.294	7.47	48.0	
	AD1224DB-F51	⊙ * ●	24	0.07	1.68	1500	1.618	57.20	0.085	2.16	28.4	
	AD1224LB-F51	⊙ * ●	24	0.10	2.40	1950	2.026	71.60	0.128	3.25	36.2	
	AD1224MB-F51	⊙ * ●	24	0.20	4.80	2540	2.725	96.30	0.228	5.79	45.0	
	AD1224HB-F51	⊙ * ●	24	0.26	6.24	2800	2.982	105.40	0.265	6.73	46.7	
	AD1224UB-F51	⊙ * ●	24	0.38	9.12	3200	3.452	122.00	0.294	7.47	48.0	
	AD1248LB-F51	⊙ * ●	48	0.09	2.88	1950	2.026	57.20	0.128	3.25	36.2	
	AD1248MB-F51	⊙ * ●	48	0.13	6.24	2540	2.725	96.30	0.228	5.79	45.0	
	AD1248HB-F51	⊙ * ●	48	0.18	8.64	2800	2.982	105.40	0.265	6.73	46.7	
	AD1248UB-F51	⊙ * ●	48	0.22	10.56	3200	3.452	122.00	0.294	7.47	48.0	

Specifications subject to change without notice.



*Motor protective circuit and third lead wire functions

0	1	2	3	4	6	7	8	9	A	B
	✓	✓	✓	✓						

*Safety approvals

✓	✓		✓	✓