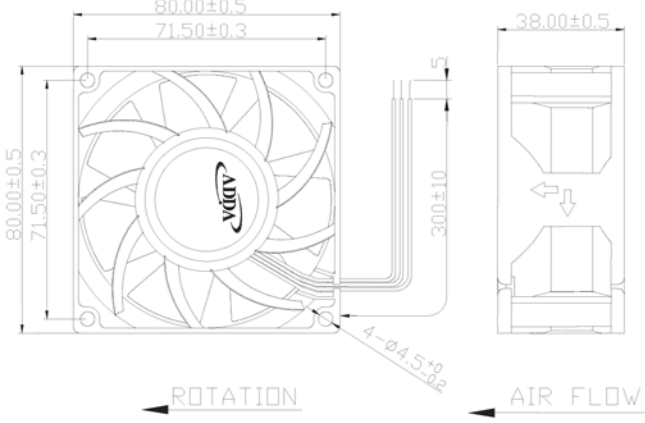


AD8038DS SERIES



External Dimensions



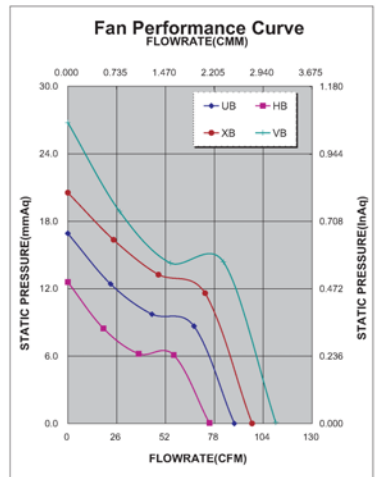
Frame: Plastic(UL:94V-0)
 Impeller: Plastic(UL:94V-0)
 Bearing: Ball bearing
 Lead wire: UL1007AWG24
 Voltage Available: 12V,24V,48V

Specifications(Nominal)

*Noise is measured at the distance of one (1) meter from the axis of intake.
 Bearing type: ⊙=Ball ⊛=Sleeve ○=1B1S ●=Hypro bearing

Frame size (mm)	Model No.	Bearing System Type	Rated Voltage (VDC)	Current (A)	Power (W)	Rated Speed (rpm)	Maximum AirFlow (CMM)	Maximum AirFlow (CFM)	Maximum Pressure (InAq)	Maximum Pressure (mmAq)	*Noise Level (dB/A)	Weight (g)
80x80x38	AD0812HB-F71DS	⊙	12	0.54	6.48	4800	2.123	75.00	0.490	12.45	50.5	180
	AD0812UB-F71DS	⊙	12	0.81	9.72	5500	2.490	88.00	0.660	16.76	55.0	
	AD0812XB-F71DS	⊙	12	1.18	14.16	6200	2.745	97.00	0.800	20.32	57.0	
	AD0812VB-F71DS	⊙	12	1.86	22.32	7000	3.113	110.00	1.050	26.67	60.5	
	AD0824HB-F71DS	⊙	24	0.30	7.20	4800	2.123	75.00	0.490	12.45	50.5	
	AD0824UB-F71DS	⊙	24	0.42	10.08	5500	2.490	88.00	0.660	16.76	55.0	
	AD0824XB-F71DS	⊙	24	0.54	12.96	6200	2.745	97.00	0.800	20.30	57.0	
	AD0848HB-F71DS	⊙	48	0.15	7.20	4800	2.123	75.00	0.490	12.45	50.5	
	AD0848UB-F71DS	⊙	48	0.20	9.60	5500	2.490	88.00	0.660	16.76	55.0	
AD0848XB-F71DS	⊙	48	0.30	14.40	6200	2.745	97.00	0.800	20.32	57.0		

Specifications subject to change without notice.



*Motor protective circuit and third lead wire functions

0	1	2	3	4	6	7	8	9	A	B
	✓	✓	✓					✓		✓

*Safety approvals

✓	✓		✓	✓