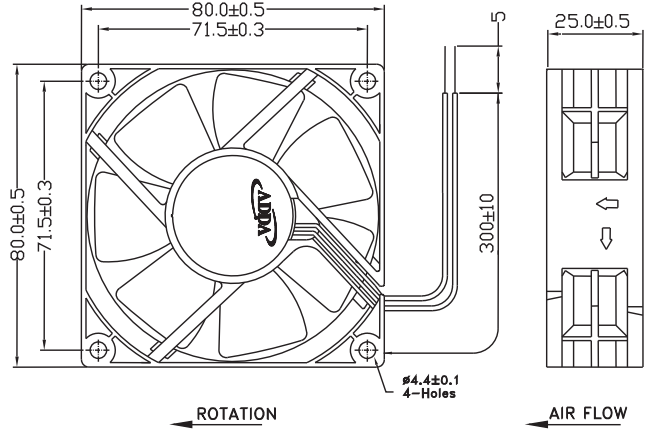


AD8025 SERIES

External Dimensions



Frame: Plastic (UL:94V-0)
 Impeller: Plastic (UL:94V-0)
 Bearing: Ball, Sleeve, Hypro bearing
 Lead wire: UL1007AWG24
 VOLTAGE AVAILABLE: 12V, 24V

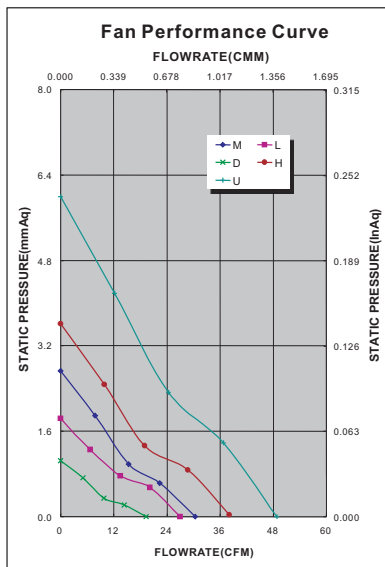
Specifications (Nominal)

*Noise is measured at the distance of one (1) meter from the axis of intake.

Bearing type: ☉=Ball ※=Sleeve ○=1B1S ●=Hypro bearing

Frame size (mm)	Model No.	Bearing System Type	Rated Voltage (VDC)	Current (A)	Power (W)	Rated Speed (rpm)	Maximum AirFlow (CMM)	Maximum AirFlow (CFM)	Maximum Pressure (InAq)	Maximum Pressure (mmAq)	*Noise Level (dB/A)	Weight (g)
80x80x25	AD0812DB-A71GL	☉ ※ ●	12	0.05	0.60	1600	0.580	20.50	0.050	1.27	15.0	86.0
	AD0812LB-A71GL	☉ ※ ●	12	0.06	0.72	2000	0.741	26.20	0.078	1.98	22.5	
	AD0812MB-A71GL	☉ ※ ●	12	0.09	1.08	2500	0.888	31.40	0.114	2.89	28.3	
	AD0812HB-A71GL	☉ ※ ●	12	0.16	1.92	3000	1.092	38.60	0.160	4.06	34.4	
	AD0812UB-A71GL	☉ ※ ●	12	0.29	3.48	3900	1.415	50.00	0.279	7.08	41.0	
	AD0812XB-A71GL	☉ ※ ●	12	0.33	3.96	4200	1.499	53.00	0.255	6.47	43.0	
	AD0824MB-A71GL	☉ ※ ●	24	0.06	1.44	2440	0.888	31.40	0.114	2.89	28.3	
	AD0824UB-A71GL	☉ ※ ●	24	0.09	2.16	3000	1.092	38.60	0.160	4.06	34.4	
AD0824XB-A71GL	☉ ※ ●	24	0.15	3.60	3900	1.415	50.00	0.279	7.08	41.0		

Specifications subject to change without notice.



*Motor protective circuit and third lead wire functions

0	1	2	3	4	6	7	8	9	A	B
	✓	✓	✓							

*Safety approvals

✓	✓		✓	✓