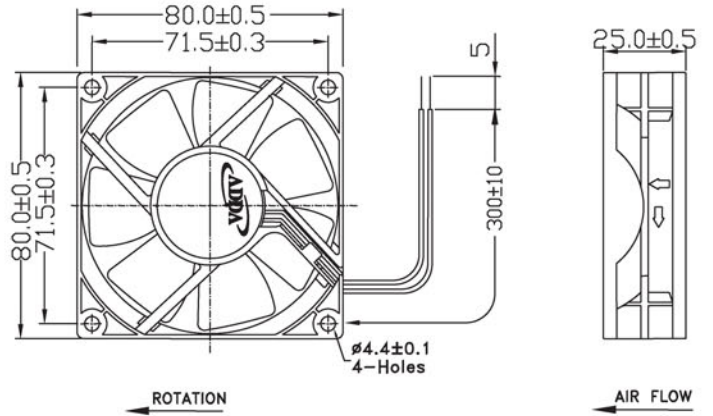


# AD8025(T) SERIES



## External Dimensions



Frame: Plastic(UL:94V-0)  
 Impeller: Plastic(UL:94V-0)  
 Bearing: Ball, Sleeve, 1B1S, Hypro bearing  
 Lead wire: UL1007AWG24  
 VOLTAGE AVAILABLE: 12V,24V

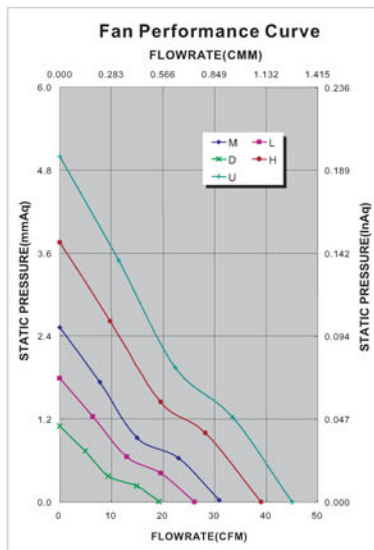
## Specifications(Nominal)

\*Noise is measured at the distance of one (1) meter from the axis of intake.

Bearing type: ⊙=Ball ⊛=Sleeve ○=1B1S ●=Hypro bearing

Frame size (mm)	Model No.	Bearing System Type	Rated Voltage (VDC)	Current (A)	Power (W)	Rated Speed (rpm)	Maximum AirFlow (CMM)	Maximum AirFlow (CFM)	Maximum Pressure (InAq)	Maximum Pressure (mmAq)	*Noise Level (dB/A)	Weight (g)
80x80x25	AD0812DB-A71GL	⊙ ⊛ ○ ●	12	0.04	0.48	1600	0.580	20.50	0.050	1.27	15.0	86.0
	AD0812LB-A71GL	⊙ ⊛ ○ ●	12	0.08	0.96	2100	0.781	27.60	0.078	1.98	22.5	
	AD0812MB-A71GL	⊙ ⊛ ○ ●	12	0.12	1.44	2500	0.931	32.90	0.114	2.89	28.3	
	AD0812HB-A71GL	⊙ ⊛ ○ ●	12	0.24	2.88	3100	1.120	39.60	0.160	4.06	34.4	
	AD0812UB-A71GL	⊙ ⊛ ○ ●	12	0.26	3.12	3400	1.239	43.80	0.190	4.82	40.0	
	AD0824LB-A71GL	⊙ ⊛ ○ ●	24	0.04	0.96	2100	0.781	27.60	0.078	1.98	22.5	
	AD0824MB-A71GL	⊙ ⊛ ○ ●	24	0.07	1.68	2500	0.931	32.90	0.114	2.89	28.3	
	AD0824HB-A71GL	⊙ ⊛ ○ ●	24	0.10	2.40	3000	1.092	38.60	0.160	4.06	34.4	

Specifications subject to change without notice.



\*Motor protective circuit and third lead wire functions

0	1	2	3	4	6	7	8	9	A	B
✓					✓					

\*Safety approvals

✓	✓		✓	✓