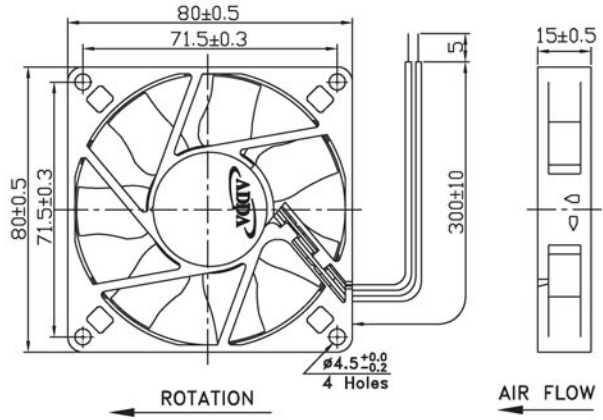


AD8015(T) SERIES

External Dimensions



Frame: Plastic(UL:94V-0)
 Impeller: Plastic(UL:94V-0)
 Bearing: Ball, Sleeve, Hydro bearing
 Lead wire: UL 1007AWG24
 VOLTAGE AVAILABLE: 12V, 24V

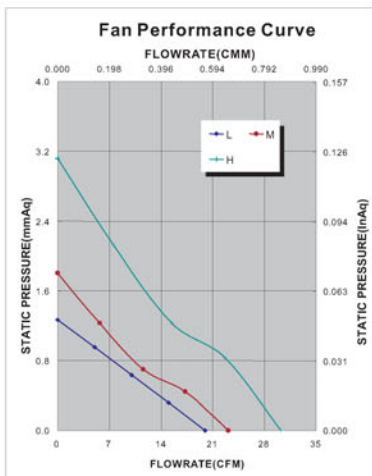
Specifications(Nominal)

*Noise is measured at the distance of one (1) meter from the axis of intake.

Bearing type: ⊙=Ball ⊛=Sleeve □=1B1S ●=Hydro bearing

Frame size (mm)	Model No.	Bearing System Type	Rated Voltage (VDC)	Current (A)	Power (W)	Rated Speed (rpm)	Maximum AirFlow (CMM)	Maximum AirFlow (CFM)	Maximum Pressure (InAq)	Maximum Pressure (mmAq)	*Noise Level (dB/A)	Weight (g)
80x80x15	AD0812LB-D71	⊙ ⊛ ●	12	0.06	0.72	2000	0.567	20.00	0.050	1.27	19.6	63.0
	AD0812MB-D71	⊙ ⊛ ●	12	0.10	1.20	2440	0.631	22.40	0.070	1.78	26.0	
	AD0812HB-D71	⊙ ⊛ ●	12	0.13	1.56	3200	0.847	29.90	0.129	3.28	33.4	
	AD0824MB-D71	⊙ ⊛ ●	24	0.05	1.20	2440	0.634	22.40	0.070	1.78	26.0	
	AD0824HB-D71	⊙ ⊛ ●	24	0.09	2.16	3200	0.847	29.90	0.129	3.28	33.4	

Specifications subject to change without notice.



*Motor protective circuit and third lead wire functions

0	1	2	3	4	6	7	8	9	A	B
✓					✓					

*Safety approvals

✓	✓		✓	✓