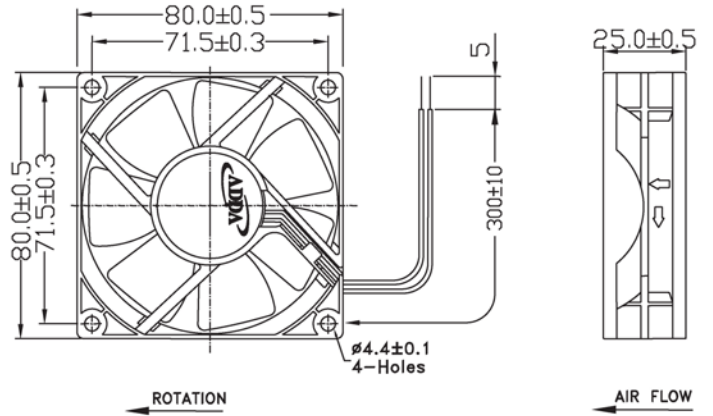


AD8025 SERIES



External Dimensions



Frame: Plastic (UL:94V-0)
 Impeller: Plastic (UL:94V-0)
 Bearing: Ball, Sleeve, 1B1S, Hypro bearing
 Lead wire: UL1007AWG24
 VOLTAGE AVAILABLE: 12V, 24V

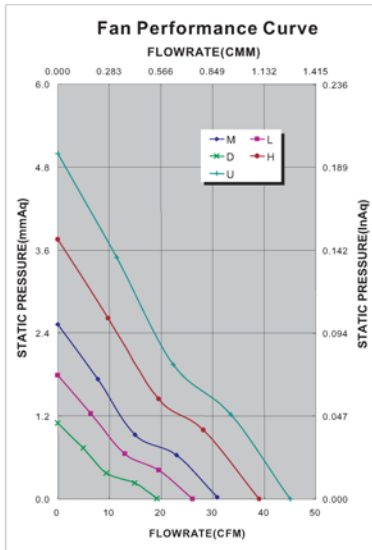
Specifications (Nominal)

*Noise is measured at the distance of one (1) meter from the axis of intake.

Bearing type: ⊙=Ball ⊛=Sleeve ○=1B1S ●=Hypro bearing

Frame size (mm)	Model No.	Bearing System Type	Rated Voltage (VDC)	Current (A)	Power (W)	Rated Speed (rpm)	Maximum AirFlow (CMM) (CFM)	Maximum Pressure (InAq) (mmAq)	*Noise Level (dB/A)	Weight (g)
80x80x25	AD0812DB-A70GL	⊙ ⊛ ○ ●	12	0.04	0.48	1600	0.580 20.50	0.050 1.27	15.0	86.0
	AD0812LB-A70GL	⊙ ⊛ ○ ●	12	0.08	0.96	2100	0.781 27.60	0.078 1.98	22.5	
	AD0812MB-A70GL	⊙ ⊛ ○ ●	12	0.12	1.44	2500	0.931 32.90	0.114 2.89	28.3	
	AD0812HB-A70GL	⊙ ⊛ ○ ●	12	0.24	2.88	3100	1.120 39.60	0.160 4.06	34.4	
	AD0812UB-A70GL	⊙ ⊛ ○ ●	12	0.26	3.12	3400	1.239 43.80	0.190 4.82	40.0	
	AD0824LB-A70GL	⊙ ⊛ ○ ●	24	0.04	0.96	2100	0.781 27.60	0.078 1.98	22.5	
	AD0824MB-A70GL	⊙ ⊛ ○ ●	24	0.07	1.68	2500	0.931 32.90	0.114 2.89	28.3	
	AD0824HB-A70GL	⊙ ⊛ ○ ●	24	0.10	2.40	3000	1.092 38.60	0.160 4.06	34.4	

Specifications subject to change without notice.



*Motor protective circuit and third lead wire functions

0	1	2	3	4	6	7	8	9	A	B
✓					✓					

*Safety approvals

✓	✓		✓	✓