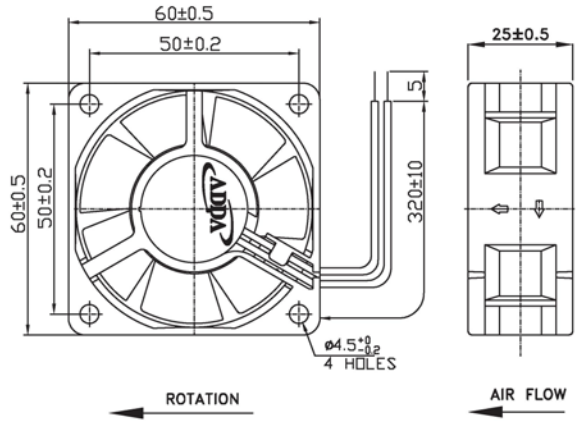


# AD6025 SERIES

## External Dimensions



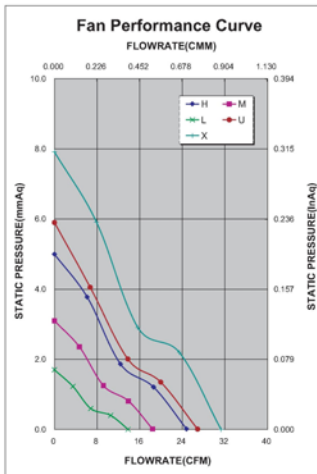
Frame: Plastic (UL: 94V-0)  
 Impeller: Plastic (UL: 94V-0)  
 Bearing: Ball, Sleeve, 1B1S, Hypro bearing  
 Lead wire: UL 1007 AWG24  
 VOLTAGE AVAILABLE: 5V, 12V, 24V

## Specifications (Nominal)

\*Noise is measured at the distance of one (1) meter from the axis of intake.  
 Bearing type: ⊙=Ball ⊛=Sleeve ○=1B1S ●=Hypro bearing

Frame size (mm)	Model No.	Bearing System Type	Rated Voltage (VDC)	Current (A)	Power (W)	Rated Speed (rpm)	Maximum AirFlow (CMM)	Maximum AirFlow (CFM)	Maximum Pressure (InAq)	Maximum Pressure (mmAq)	*Noise Level (dB/A)	Weight (g)
60x60x25	AD0605LB-A70GL	⊙ ⊛ ○ ●	5	0.10	0.50	2500	0.374	13.20	0.063	1.60	18.1	58.0
	AD0605MB-A70GL	⊙ ⊛ ○ ●	5	0.19	0.95	3500	0.510	18.00	0.118	3.00	28.0	
	AD0605HB-A70GL	⊙ ⊛ ○ ●	5	0.35	1.75	4500	0.708	25.00	0.188	4.78	36.9	
	AD0612LB-A70GL	⊙ ⊛ ○ ●	12	0.06	0.72	2500	0.374	13.20	0.063	1.60	18.1	
	AD0612MB-A70GL	⊙ ⊛ ○ ●	12	0.10	1.20	3500	0.510	18.00	0.118	3.00	28.0	
	AD0612HB-A70GL	⊙ ⊛ ○ ●	12	0.19	2.28	4600	0.701	24.78	0.200	4.78	35.2	
	AD0612UB-A70GL	⊙ ⊛ ○ ●	12	0.25	3.00	5000	0.765	27.00	0.230	5.84	40.0	
	AD0612XB-A70GL	⊙	12	0.30	3.60	6100	0.889	31.40	0.320	8.13	42.9	
	AD0624MB-A70GL	⊙ ⊛ ○ ●	24	0.06	1.44	3500	0.510	18.00	0.118	3.00	28.0	
	AD0624HB-A70GL	⊙ ⊛ ○ ●	24	0.12	2.88	4500	0.708	25.00	0.188	4.78	36.9	
	AD0624UB-A70GL	⊙ ⊛ ○ ●	24	0.14	3.36	5000	0.765	27.00	0.230	5.84	40.0	

Specifications subject to change without notice.



\*Motor protective circuit and third lead wire functions

0	1	2	3	4	6	7	8	9	A	B
✓					✓					

\*Safety approvals

✓	✓		✓	✓