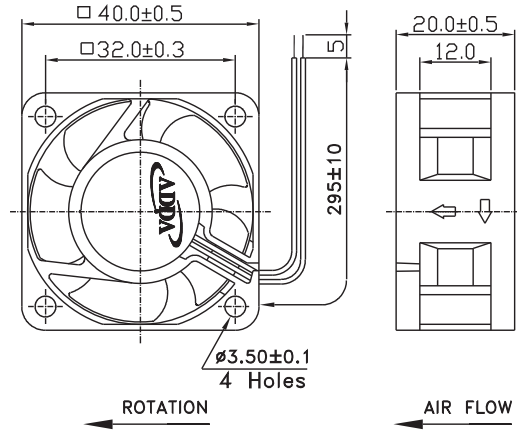


AD4020 SERIES

External Dimensions



Frame: Plastic (UL:94V-0)
 Impeller: Plastic (UL:94V-0)
 Bearing: Ball, Sleeve, Hydro bearing
 Lead wire: UL1007AWG26
 VOLTAGE AVAILABLE: 5V, 12V, 24V

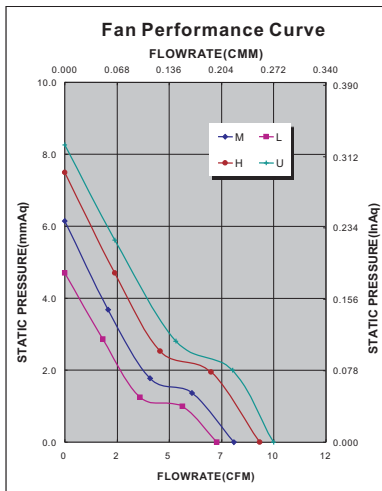
Specifications (Nominal)

*: Noise is measured at the distance of one (1) meter from the axis of intake.

Bearing type: ⊙=Ball ※=Sleeve ○=1B1S ●=Hydro bearing

Frame size (mm)	Model No.	Bearing System Type	Rated Voltage (VDC)	Current (A)	Power (W)	Rated Speed (rpm)	Maximum AirFlow (CMM)	Maximum AirFlow (CFM)	Maximum Pressure (InAq)	Maximum Pressure (mmAq)	*Noise Level (dB/A)	Weight (g)
40x40x20	AD0405DB-C50	⊙ ※ ●	5	0.09	0.45	4200	0.138	4.90	0.080	2.00	16.5	28.0
	AD0405LB-C50	⊙ ※ ●	5	0.14	0.70	6000	0.202	6.99	0.188	4.71	23.9	
	AD0405MB-C50	⊙ ※ ●	5	0.16	0.80	6500	0.211	7.50	0.246	6.15	28.4	
	AD0405HB-C50	⊙ ※ ●	5	0.25	1.25	7800	0.253	8.97	0.300	7.49	31.9	
	AD0412DB-C50	⊙ ※ ●	12	0.04	0.48	4200	0.138	4.90	0.080	2.00	16.5	
	AD0412LB-C50	⊙ ※ ●	12	0.07	0.84	6200	0.197	6.99	0.188	4.71	25.0	
	AD0412MB-C50	⊙ ※ ●	12	0.08	0.96	6900	0.219	7.78	0.246	6.15	28.5	
	AD0412HB-C50	⊙ ※ ●	12	0.10	1.20	7800	0.253	8.97	0.300	7.49	31.9	
	AD0412UB-C50	⊙ ※ ●	12	0.14	1.68	8500	0.270	9.60	0.331	8.27	36.1	
	AD0424LB-C50	⊙ ※ ●	24	0.05	1.20	6200	0.197	6.99	0.188	4.71	25.0	
AD0424MB-C50	⊙ ※ ●	24	0.06	1.44	6900	0.219	7.78	0.246	6.15	28.5		
AD0424HB-C50	⊙ ※ ●	24	0.07	1.68	7800	0.253	8.97	0.300	7.49	31.9		

Specifications subject to change without notice.



*Motor protective circuit and third lead wire functions

0	1	2	3	4	6	7	8	9	A	B
✓	✓	✓	✓		✓					

*Safety approvals

✓	✓		✓	✓