

AC6200N Series

Tubeaxial

6 in. - ACmaxx



- Introducing an extension of our AC product line, the ACmaxx series accepts a wide input voltage and has the high efficiency and long life of a brushless DC fan.

- Metal fan housing, impeller made of plastic.

- External rotor motor with completely integrated drive and control electronics.

- Safety UL; CSA; VDE; CCC; CE

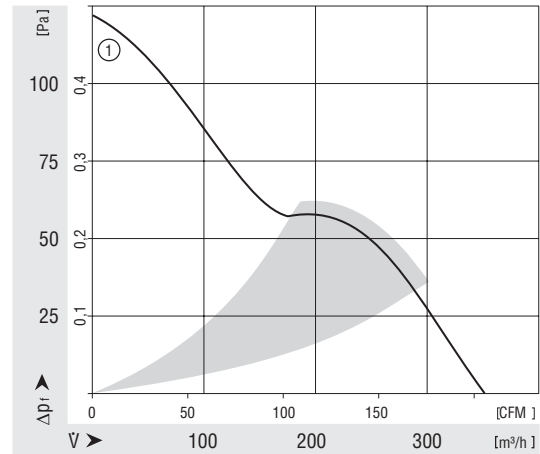
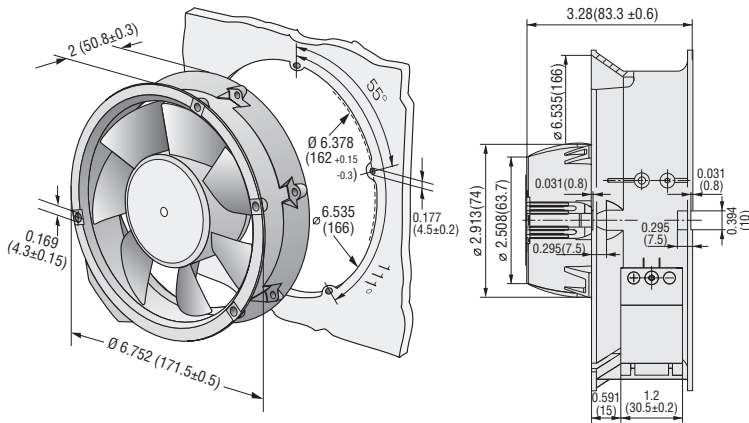
- Open-loop speed control, tach and alarm outputs - as well as coatings to increase protection against environmental influences - available upon request.

- Air exhaust over struts. Direction of rotation CCW looking at rotor.

- 22 AWG leads

- Startup and locked rotor current do not exceed maximum operating current.

Part Number	Curve	CFM @ 0	Nominal VAC	Volt. Range	Hertz	Power (W)	dBA	Max Amb. Temp C	Bearing Type	Speed (RPM)	Features	Wgt. (lbs)
AC6200NM	1	206	115 /230	85 ... 265	50 / 60	14	50	70	Ball	2850	Leads	1.98



ebmpapst

e-mail: sales@us.ebmpapst.com · TEL: 860-674-1515 · FAX: 860-674-8536

ebm-papst Inc., 100 Hyde Road, Farmington, CT 06034 USA

ebm-papst Inc., 2006 © ebm-papst Inc. reserves the right to change any specifications or data without notice