

Splash Proof Fan

**120** mm sq.

# San Ace 120W

38mm thick(WP type)  
 38mm thick(WG type)  
 38mm thick(WS type)



**General Specifications** With a pulse sensor

- Material ..... Frame: Aluminum, Impeller: Plastics (Flammability: UL94V-1)
- Life Expectancy ..... Varies for each model(L10:Survival rate: 90% at 60°C ,  
 rated voltage, and continuously run in a free air state)
- Lead Wire ..... ⊕red ⊖black or blue (Sensor) yellow
- Storage Temperature ..... -30°C to +70°C (Non-condensing)

**120×120×38mm** (Mass : 410g)

**IP 55** Dust resistant device with protection against water jets

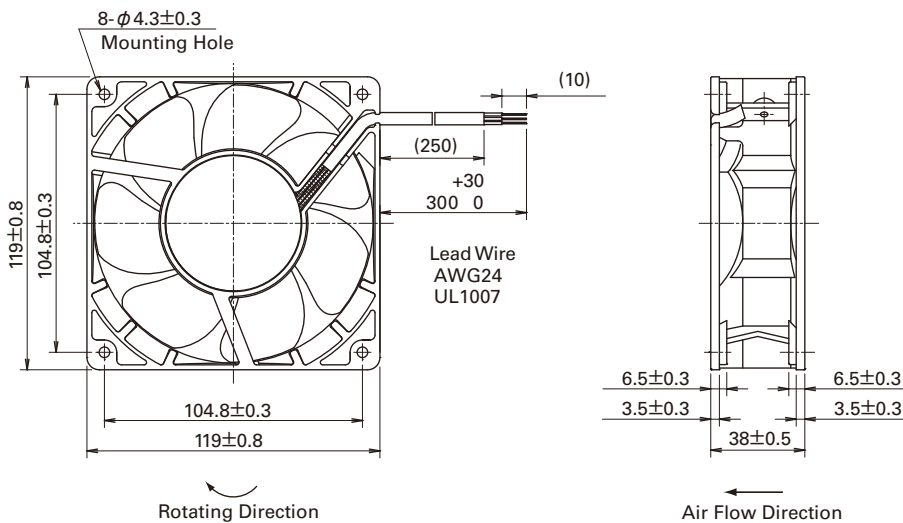
**WGtype**

**Specifications**

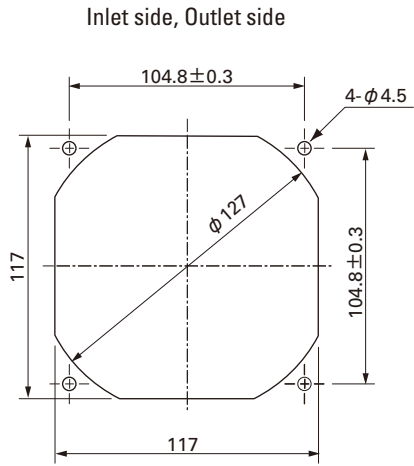
Model No.	Rated Voltage [V]	Operating Voltage Range [V]	Rated Current [A]	Rated Input [W]	Rated Speed [min <sup>-1</sup> ]	Air Flow [m <sup>3</sup> /min] [CFM]		Static Pressure [Pa] [inchH <sub>2</sub> O]		SPL [dB(A)]	Operating Temperature [°C]	Life Expectancy [h]	
9WG1212G101-E	12	10.2 to 13.8	0.98	11.76	3,600	3.88	137	135	0.542	49	- 10 to + 70	80,000	
9WG1212E101-E			0.61	7.32	3,100	3.34	118	100	0.402	46			
9WG1212H101-E		7 to 13.8	0.38	4.56	2,600	2.80	99	70.4	0.283	39		100,000	
9WG1212F101-E			0.28	3.36	2,280	2.45	87	54.2	0.218	36			
9WG1212M101-E			0.21	2.52	1,950	2.10	74	39.6	0.159	32			
9WG1224G101-E	24	20.4 to 27.6	0.50	12	3,600	3.88	137	135	0.542	49		- 10 to + 70	80,000
9WG1224E101-E			0.34	8.16	3,100	3.34	118	100	0.402	46			
9WG1224H101-E		14 to 27.6	0.22	5.28	2,600	2.80	99	70.4	0.283	39			100,000
9WG1224F101-E			0.16	3.84	2,280	2.45	87	54.2	0.218	36			
9WG1224M101-E			0.11	2.64	1,950	2.10	74	39.6	0.159	32			
9WG1248G101-E	48	40.8 to 55.2	0.25	12	3,600	3.88	137	135	0.542	49	- 10 to + 70		80,000
9WG1248E101-E			0.17	8.16	3,100	3.34	118	100	0.402	46			
9WG1248H101-E			0.11	5.28	2,600	2.80	99	70.4	0.283	39			100,000
9WG1248F101-E			0.09	4.32	2,280	2.45	87	54.2	0.218	36			
9WG1248M101-E			0.07	3.36	1,950	2.10	74	39.6	0.159	32			

**Without Sensor** **Pulse Sensor** Available in all models. **Lock Sensor** Please inquire as the availability of these functions depend on the model.

**Dimensions (Unit : mm)**



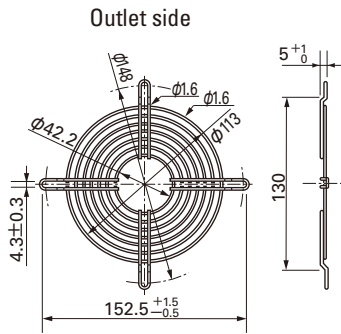
Reference dimension of mounting holes and vent opening (Unit : mm)



Options (Unit : mm)

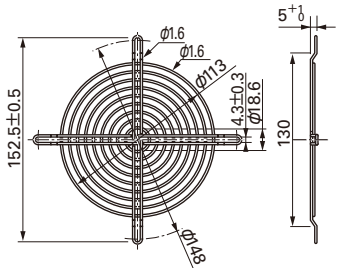
Finger guards

Model : 109-019C Surface treatment : Nickel-chrome plating (silver) Color (silver)  
 : 109-019H : Cation electropainting (black)



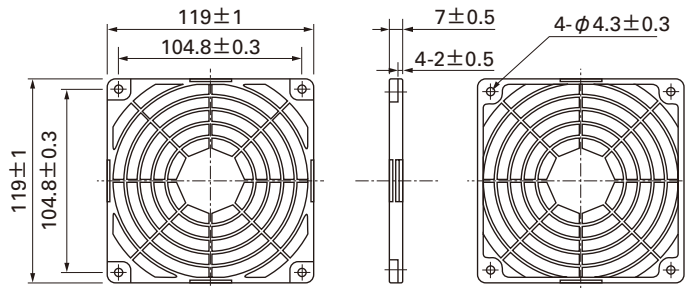
Model : 109-019E Surface treatment : Nickel-chrome plating (silver) Color (silver)  
 : 109-019K : Cation electropainting (black)

Inlet side, Outlet side



Resin Finger guards

Model : 109-1000G



**120**mm sq.

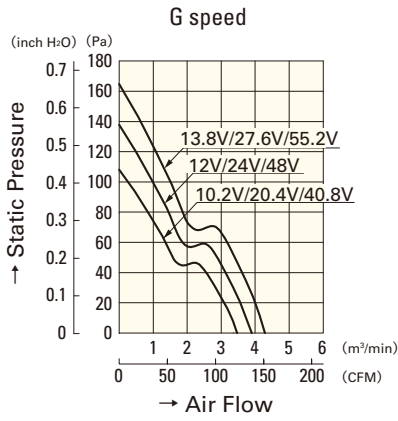
# San Ace 120W

**120×120×38**mm [Mass : 410g]

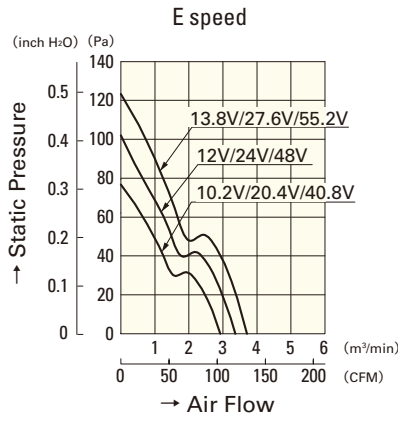
**IP 55** Dust resistant device with protection against water jets

**WG**type

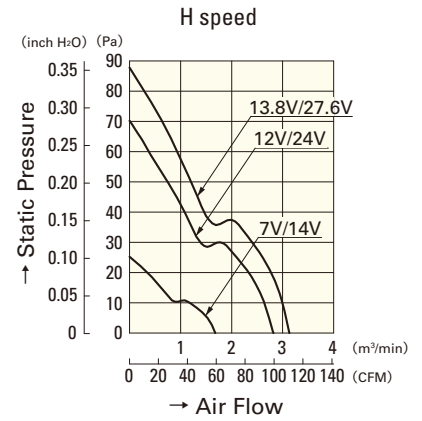
## Air Flow and Static Pressure Characteristics



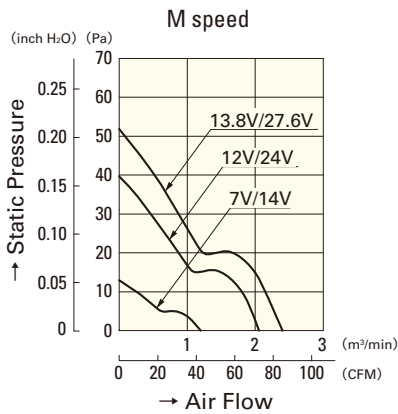
**9WG1212G101-E**  
**9WG1224G101-E**  
**9WG1248G101-E**



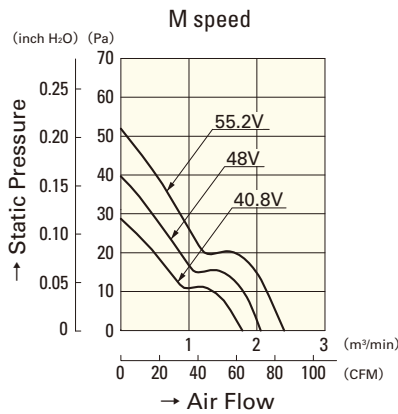
**9WG1212E101-E**  
**9WG1224E101-E**  
**9WG1248E101-E**



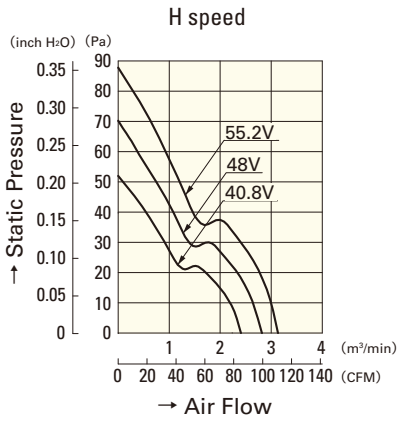
**9WP1212H101(1011)-E**  
**9WP1224H101(1011)-E**



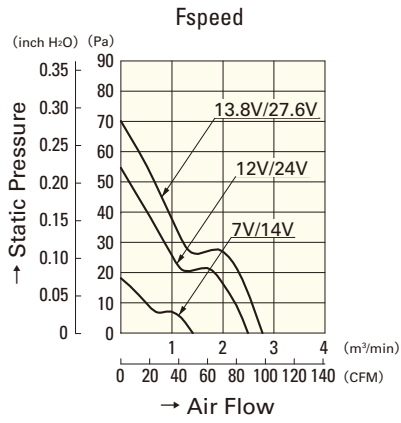
**9WG1212M101-E**  
**9WG1224M101-E**



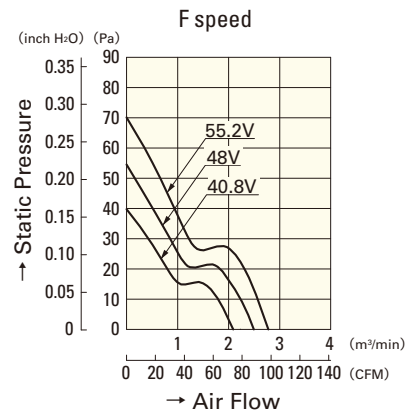
**9WG1248M101-E**



**9WG1248H101-E**



**9WG1212F101-E**  
**9WG1224F101-E**



**9WG1248F101-E**