

San Ace 40 WF

Oil Proof Fan

Features

The product can be used in an oil mist environment (environment where cutting oil scatters in the form of a mist).

Oil resistant materials protect coils and electronic parts. Therefore, even in a severe environment with oil mist, the product maintains stable operation.



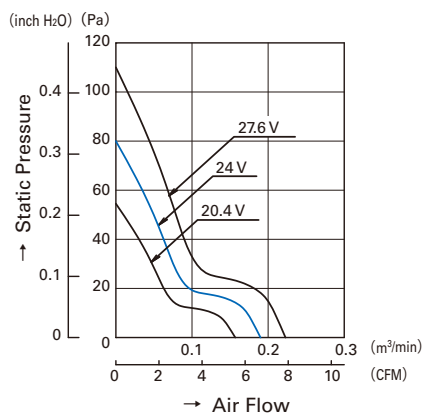
Oil Proof Fan 40mm

40×40×15mm

Specifications

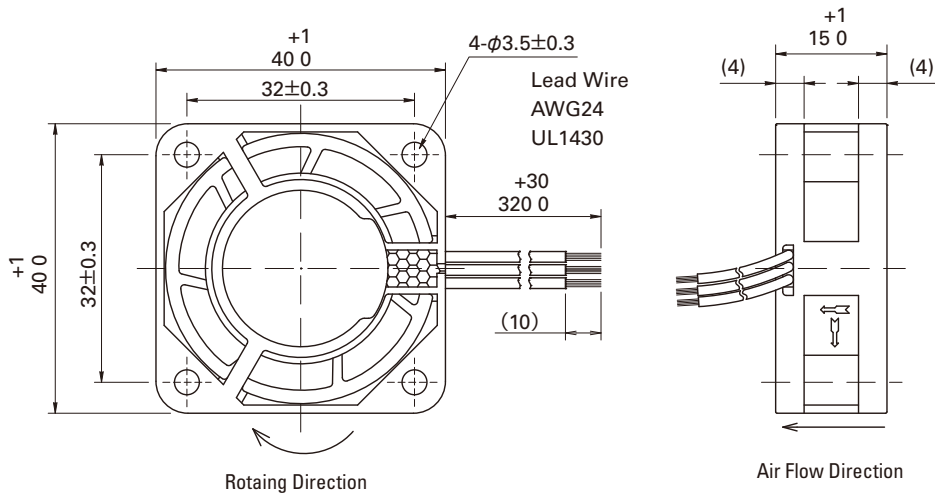
Model No	Rated Voltage [V]	Operating Voltage Range [V]	Rated Current [A]	Rated Input [W]	Rated Speed [min ⁻¹]	Air Flow [m ³ /min] [CFM]	Static Pressure [Pa] [inchH ₂ O]	SPL [dB(A)]	Operating Temperature Range [°C]	Life Expectancy [h]
9WF0424H701	24	20.4 to 27.6	0.085	2.04	11,300	0.195 6.9	80 0.32	38	-10 to +70	40,000

Air Flow and Static Pressure Characteristics

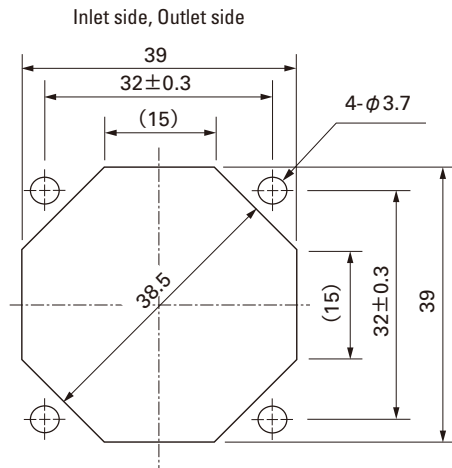


40mm

■ Dimensions (unit : mm)



■ Reference dimension of mounting holes and vent opening (unit : mm)



■ Common Specifications

- Material Frame, Impeller: Plastics (Flammability: UL94V-0)
- Life Expectancy Varies for each model
(L10: Survival rate: 90% at 60°C, rated voltage, and continuously run in a free air state)
- Motor Protection System Current blocking function and Reverse polarity protection
- Dielectric Strength 50/60 Hz, 500VAC, 1 minute (between lead conductor and frame)
- Sound Pressure Level (SPL) Expressed as the value at 1m from air inlet side
- Operating Temperature Varies for each model (Non-condensing)
- Storage Temperature -30°C to +70°C (Non-Condensing)
- Lead Wire ⊕red ⊖black Sensor: yellow
- Mass Approx. 35 g

Notice

- The products shown in the catalog are subject to Japanese Export Control Law. Diversion contrary to the law of exporting country is prohibited.
- To protect against electrolytic corrosion that may occur in locations with strong electromagnetic noise, we provide fans that are unaffected by electrolytic corrosion.

SANYO DENKI CO., LTD. 1-15-1, Kita-otsuka, Toshima-ku, Tokyo 170-8451, Japan. PHONE :+ 81 3 3917 5151 Home Page: <http://www.sanyodenki.co.jp>