

40 mm sq.

San Ace 40WF

15mm thick, 20mm thick



General Specifications With a pulse sensor Specifications for pulse sensors ⇔ Refer to Page 307

- Material Frame: Plastics (Flammability: UL94V-0),
Impeller: Plastics (Flammability: UL94V-0)
- Life Expectancy Varies for each model(L10:Survival rate: 90% at 60°C ,
rated voltage, and continuously run in a free air state)
- Lead Wire ⊕red ⊖black or blue Sensor yellow
- Storage Temperature -30°C to +70°C (Non-condensing)

The product can be used in an oil mist environment*

*Environment where machining oil mist is scattered.
Usage of this product requires an evaluation with the oil that will be used.

40×40×20 mm (Mass : 50g)

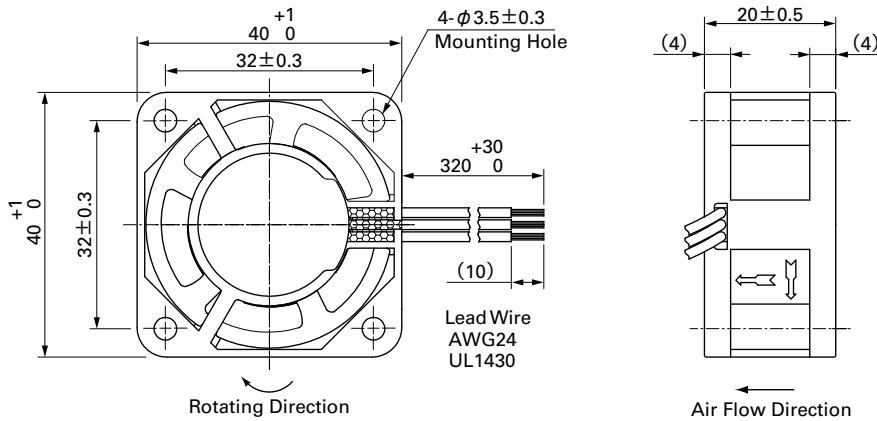
IP 55 Dust resistant device with protection against water jets

Specifications

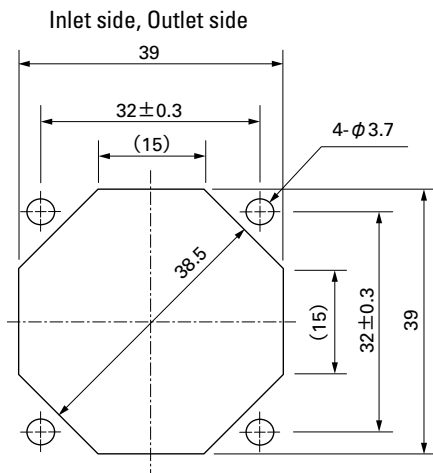
Model No.	Rated Voltage [V]	Operating Voltage Range [V]	Rated Current [A]	Rated Input [W]	Rated Speed [min ⁻¹]	Air Flow [m ³ /min] [CFM]	Static Pressure [Pa] [inchH ₂ O]	SPL [dB(A)]	Operating Temperature [°C]	Life Expectancy [h]
9WF0424H601	24	20.4 to 27.6	0.11	2.64	13,100	0.26 9.2	90 0.361	42	-10 to +70	40,000
9WF0424F601			0.076	1.82	11,000	0.22 7.77	62.8 0.252	37		

Without Sensor Pulse Sensor Available in all models. Lock Sensor Please inquire as the availability of these functions depend on the model.

Dimensions (Unit : mm)



Reference dimension of mounting holes and vent opening (Unit : mm)

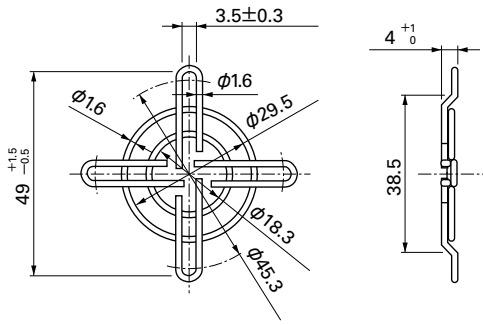


Options (Unit : mm)

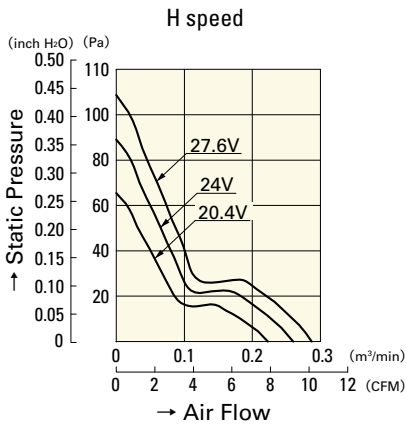
Finger guards

Model : 109-059 Color
Surface treatment : Nickel-chrome plating (silver)

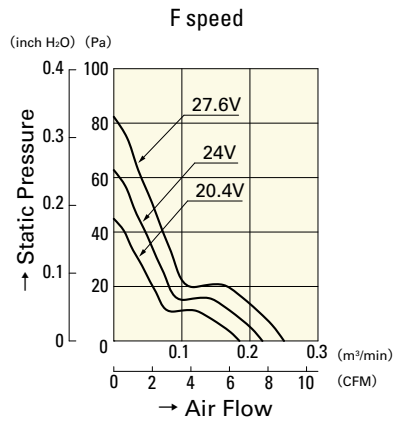
Inlet side, Outlet side



Air Flow and Static Pressure Characteristics



9WF0424H601



9WF0424F601