

120 mm sq.

San Ace 120

25mm thick (S type)



General Specifications With a pulse sensor Specifications for pulse sensors ⇔ Refer to Page 307

- Material Frame: Plastics (Flammability: UL94V-0),
Impeller: Plastics (Flammability: UL94V-1)
- Life Expectancy Varies for each model (L10: Survival rate: 90% at 60°C, rated voltage, and continuously run in a free air state)
- Lead Wire ⊕ red ⊖ black (Sensor) yellow
- Storage Temperature ... -30°C to +70°C (Non-condensing)

120×120×25mm (Mass : 140g)

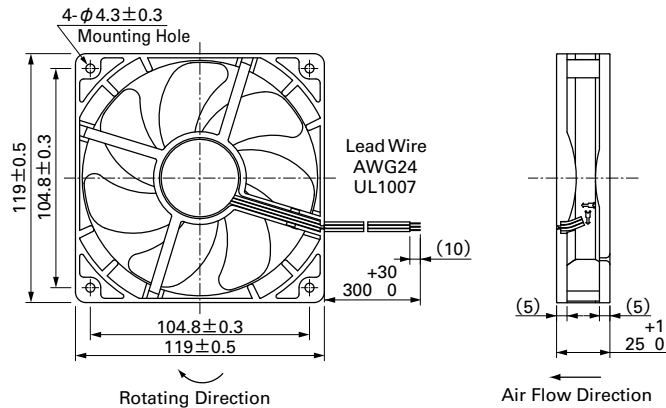
S type

Specifications The numbers in () represent ribless models.

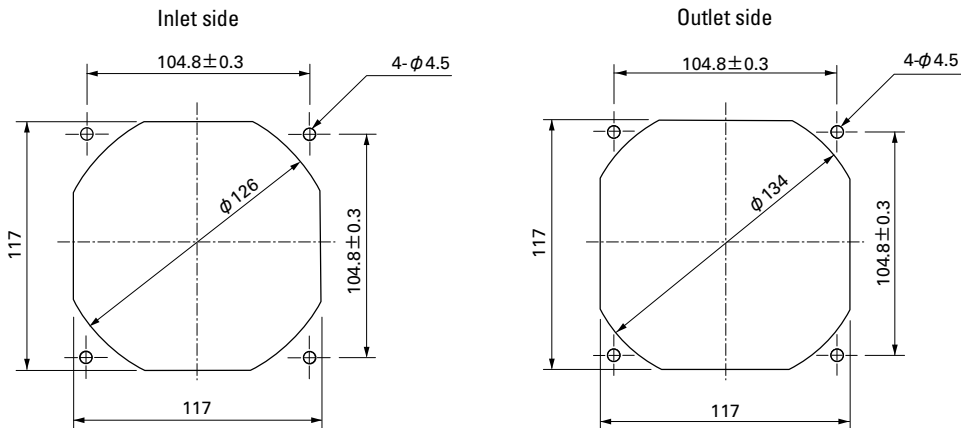
Model No.	Rated Voltage [V]	Operating Voltage Range [V]	Rated Current [A]	Rated Input [W]	Rated Speed [min ⁻¹]	Air Flow [m ³ /min] [CFM]	Static Pressure [Pa] [inchH ₂ O]	SPL [dB(A)]	Operating Temperature [°C]	Life Expectancy [h]
9S1212H401(4011)	12	5.0 ~ 13.2	0.39	4.68	2,700	2.45 86.5	45.2 0.18	36	-10 ~ +60	40,000
9S1212F401(4011)		5.0 ~ 13.8	0.19	2.28	2,200	2.00 70.6	30.0 0.12	30		
9S1212M401(4011)		6.0 ~ 13.8	0.13	1.56	1,850	1.66 58.6	22.7 0.09	24		
9S1212L401(4011)		7.0 ~ 13.8	0.08	0.96	1,500	1.36 48.1	14.9 0.06	17		

Without Sensor Pulse Sensor Available in all models. Lock Sensor PWM Control Please inquire as the availability of these functions depend on the model.

Dimensions (Unit : mm) (With ribs)



Reference dimension of mounting holes and vent opening (Unit : mm)

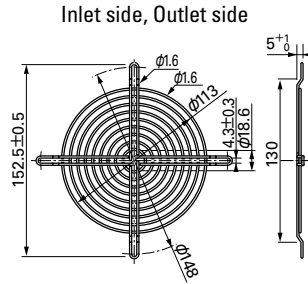
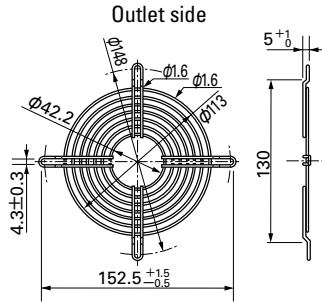


Options (Unit : mm)

Finger guards

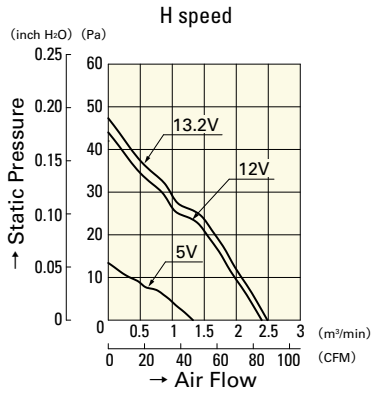
Model : 109-019C Surface treatment : Nickel-chrome plating (silver)
 : 109-019H : Cation electropainting (black)

Model : 109-019E Surface treatment : Nickel-chrome plating (silver)
 : 109-019K : Cation electropainting (black)

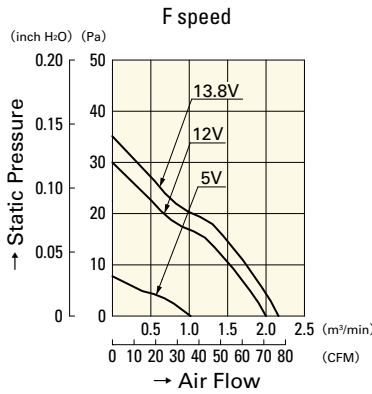


Silent Fan 120mm

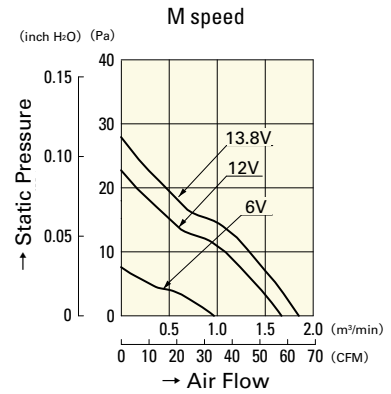
Air Flow and Static Pressure Characteristics



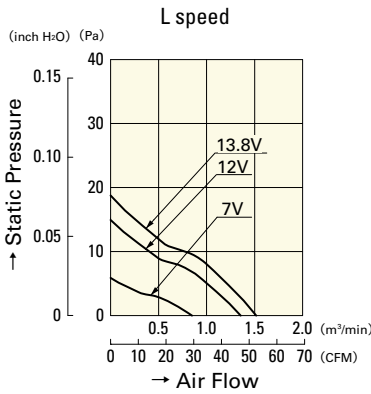
9S1212H401(4011)



9S1212F401(4011)



9S1212M401(4011)



9S1212L401(4011)

120mm