

92mm sq.

San Ace 92

25mm thick (S type)



General Specifications With a pulse sensor Specifications for pulse sensors ⇔ Refer to Page 307

- Material Frame: Plastics (Flammability: UL94V-0),
Impeller: Plastics (Flammability: UL94V-1)
- Life Expectancy Varies for each model (L10: Survival rate: 90% at 60°C, rated voltage, and continuously run in a free air state)
- Lead Wire ⊕red ⊖black (Sensor) yellow
- Storage Temperature ... -30°C to +70°C (Non-condensing)

92×92×25mm (Mass : 100g)

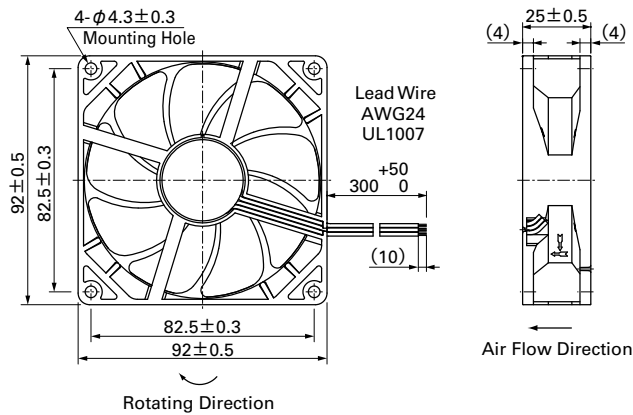
S type

Specifications The numbers in () represent ribless models.

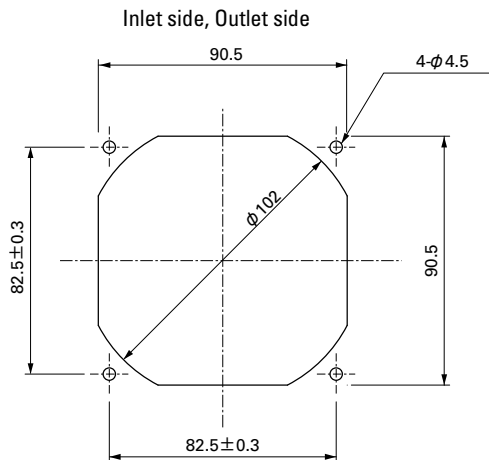
Model No.	Rated Voltage [V]	Operating Voltage Range [V]	Rated Current [A]	Rated Input [W]	Rated Speed [min ⁻¹]	Air Flow [m ³ /min] [CFM]	Static Pressure [Pa] [inchH ₂ O]	SPL [dB(A)]	Operating Temperature [°C]	Life Expectancy [h]
9S0912F401(4011)	12	5.0 to 13.8	0.14	1.68	2,650	1.26 44.5	30.0 0.120	27	-10 to +70	40,000
9S0912M401(4011)			0.11	1.32	2,250	1.07 37.8	21.6 0.087	22		
9S0912L401(4011)		6.0 to 13.8	0.07	0.84	1,750	0.83 29.3	13.1 0.053	17		
9S0924F401(4011)	24	14 to 26.4	0.09	2.16	2,650	1.26 44.5	30 0.12	27		
9S0924M401(4011)			0.07	1.68	2,250	1.07 37.8	21.6 0.087	22		
9S0924L401(4011)			0.04	0.96	1,750	0.83 29.3	13.1 0.053	17		

Without Sensor Pulse Sensor Available in all models. Lock Sensor PWM Control Please inquire as the availability of these functions depend on the model.

Dimensions (Unit : mm) (With ribs)



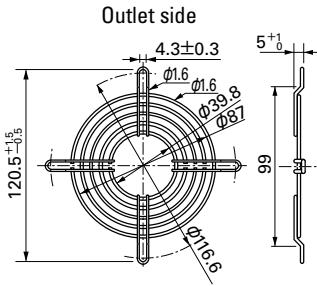
Reference dimension of mounting holes and vent opening (Unit : mm)



Options (Unit : mm)

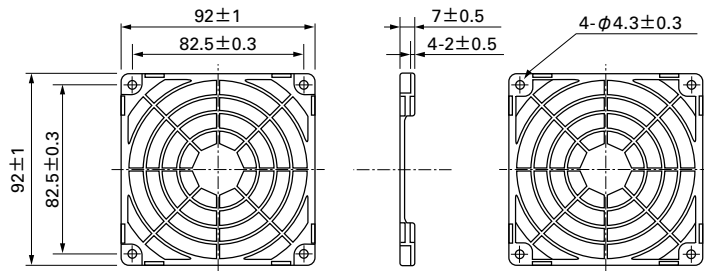
Finger guards

Model : 109-099C Surface treatment : Nickel-chrome plating (silver) Color : 109-099H : Cation electropainting (black)

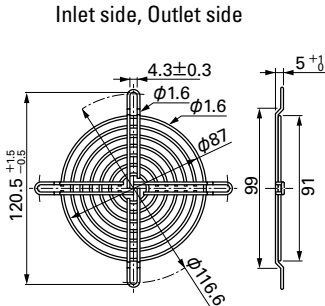


Resin finger guards

Model : 109-1001G

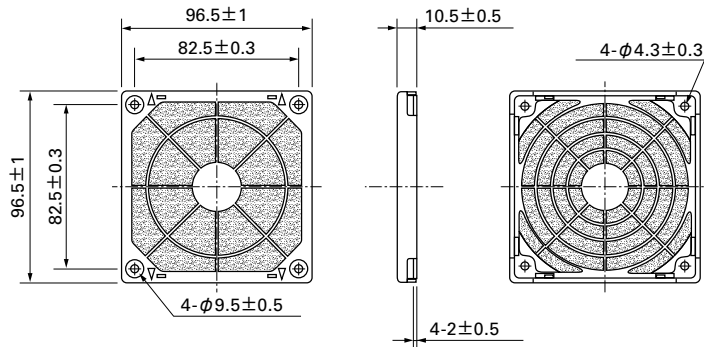


Model : 109-099E Surface treatment : Nickel-chrome plating (silver) Color : 109-099H : Cation electropainting (black)

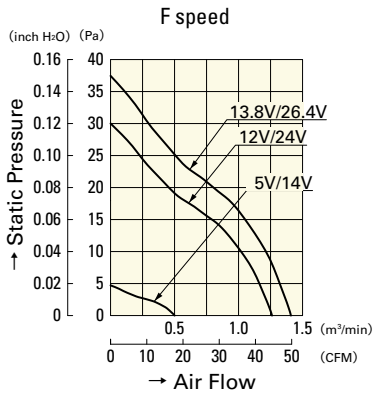


Resin filter kits

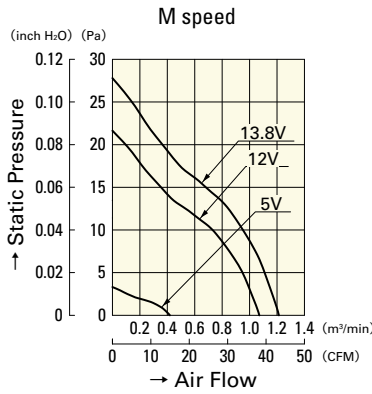
Model : 109-1001F13 (13PPI), 109-1001F20 (20PPI) : 109-1001F30 (30PPI), 109-1001F40 (40PPI)



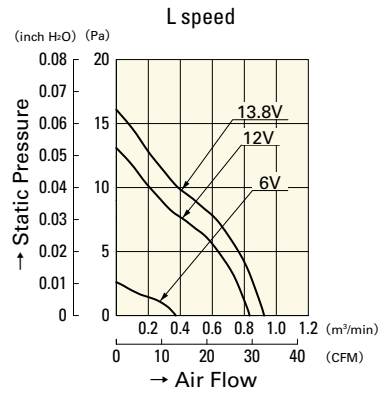
Air Flow and Static Pressure Characteristics



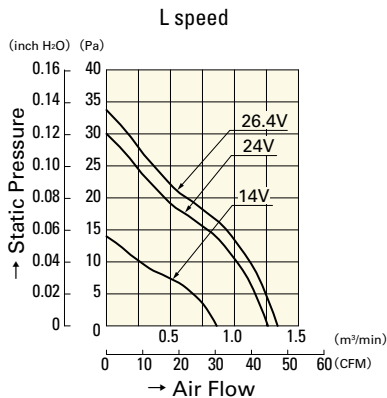
9S0912F401(4011)
9S0924F401(4011)



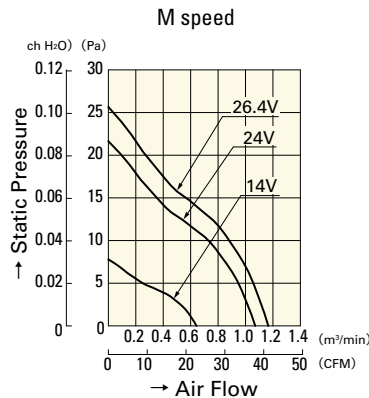
9S0912M401(4011)



9S0912L401(4011)



9S0924L401(4011)



9S0924M401(4011)

Silent Fan 92mm

92mm