

# San Ace 60 GA type

## Low power consumption fan

Low power consumption fan 60mm

### Features

#### Energy-saving

Power consumption is reduced by approx. 50 % compared with our conventional fan\*.

#### Low sound pressure level

Sound pressure level is reduced by approx. 7dB(A) compared with our conventional fan\*.

#### Large air flow and high static pressure

- Maximum airflow : increased by approx. 80 %
- Maximum static pressure : increased by approx. 180 % compared with our conventional product\*.

\* Our conventional product is the DC cooling fan 60 × 60 × 20 mm fan "San Ace 60" (Model No: 109P0612S601) When air flow and static pressure is almost identical.



60×60×20mm

### Specifications

With PWM speed control function · With pulse sensor

Model No.	Rated Voltage [V]	Operating Voltage Range [V]	PWM duty cycle* [%]	Rated Current [A]	Rated Input [W]	Rated Speed [min <sup>-1</sup> ]	Air Flow [m <sup>3</sup> /min] [CFM]	Static Pressure [Pa] [inchH <sub>2</sub> O]	SPL [dB(A)]	Operating Temperature [°C]	Life Expectancy [h]
9GA0612P6G001	12	10.8 to 13.2	100	0.26	3.12	6,850	0.88 31.1	125 0.50	43	-10 to +70	40,000
9GA0612P6S001			100	0.15	1.80	5,500	0.70 24.7	81 0.33	36		
9GA0624P6G001	24	21.6 to 26.4	100	0.12	2.88	6,850	0.88 31.1	125 0.50	43		
9GA0624P6S001			100	0.07	1.68	5,500	0.70 24.7	81 0.33	36		

Note : Does not rotate when PWM duty cycle is 0%.

※PWM Frequency:25kHz

With pulse sensor

Model No.	Rated Voltage [V]	Operating Voltage Range [V]	Rated Current [A]	Rated Input [W]	Rated Speed [min <sup>-1</sup> ]	Air Flow [m <sup>3</sup> /min] [CFM]	Static Pressure [Pa] [inchH <sub>2</sub> O]	SPL [dB(A)]	Operating Temperature [°C]	Life Expectancy [h]
9GA0612H6001	12	10.8 to 13.2	0.09	1.08	4,100	0.52 18.4	45 0.18	29	-10 to +70	60,000
9GA0612M6001			0.05	0.60	2,700	0.34 12.0	20 0.08	18		
9GA0624H6001	24	21.6 to 26.4	0.04	0.96	4,100	0.52 18.4	45 0.18	29		
9GA0624M6001			0.03	0.72	2,700	0.34 12.0	20 0.08	18		

### Common Specifications

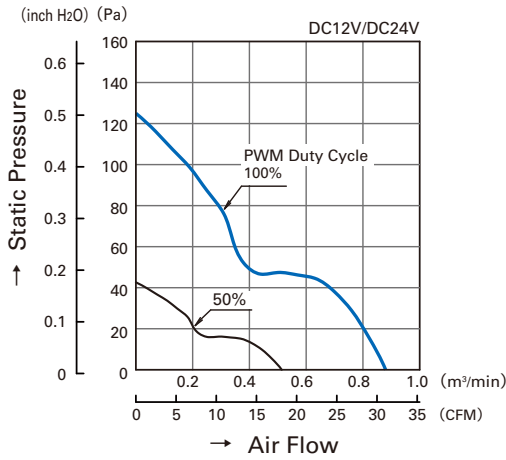
- Material ..... Frame, Impeller: Plastics (Flammability: UL94V-0)
- Life Expectancy ..... Varies for each model  
(L10: Survival rate: 90% at 60°C, rated voltage, and continuously run in a free air state)
- Motor Protection System ..... Current blocking function and Reverse polarity protection
- Dielectric Strength ..... 50/60 Hz, 500VAC, 1 minute (between lead conductor and frame)
- Sound Pressure Level (SPL) ..... Expressed as the value at 1m from air inlet side
- Operating Temperature ..... Varies for each model (Non-condensing)
- Storage Temperature ..... -30°C to +70°C (Non-Condensing)
- Lead Wire ..... ⊕red ⊖black Sensor: yellow  
Control(With PWM speed control function · With pulse sensor) : brown
- Mass ..... Approx. 70 g

60mm

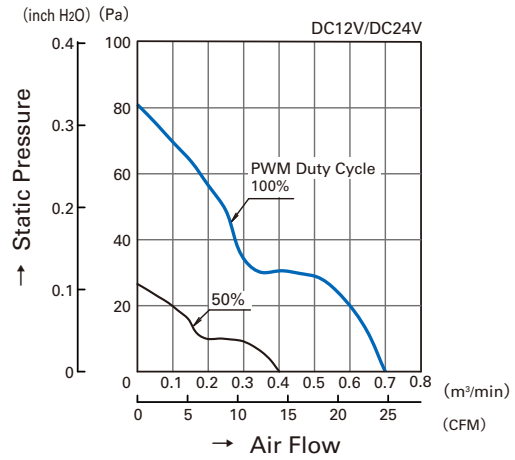
## Air Flow - Static Pressure Characteristics

With PWM speed control function · With pulse sensor

- PWM Duty Cycle

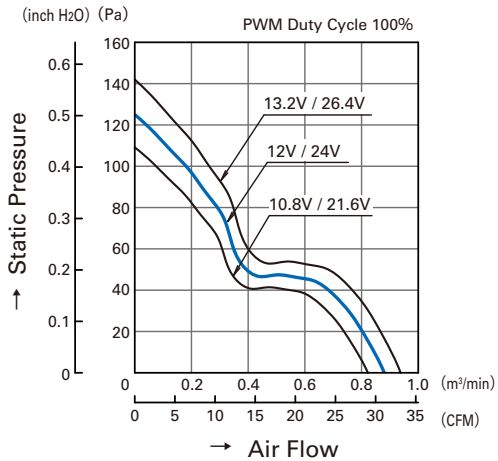


**9GA0612P6G001**  
**9GA0624P6G001**

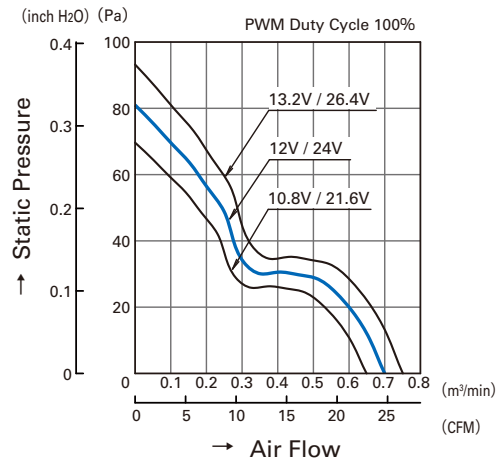


**9GA0612P6S001**  
**9GA0624P6S001**

- Operating Voltage Range



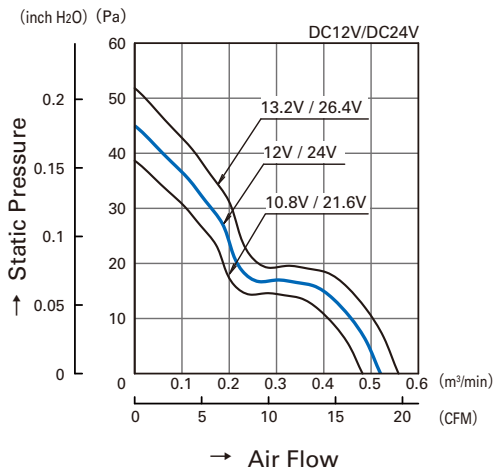
**9GA0612P6G001**  
**9GA0624P6G001**



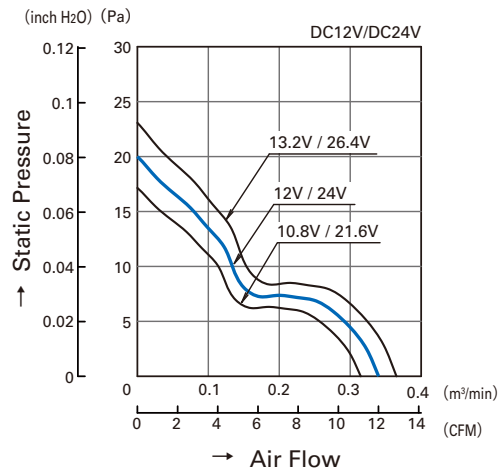
**9GA0612P6S001**  
**9GA0624P6S001**

With pulse sensor

- Operating Voltage Range

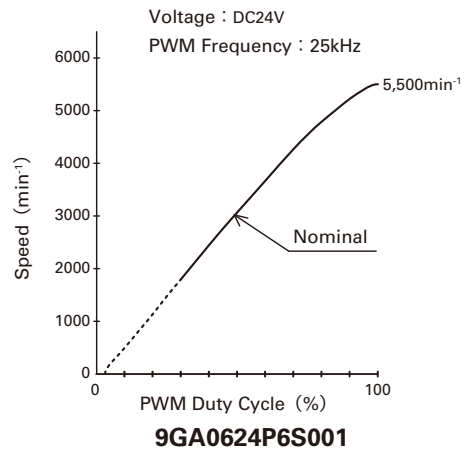
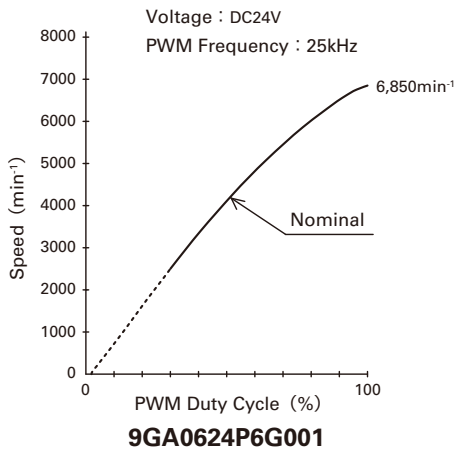
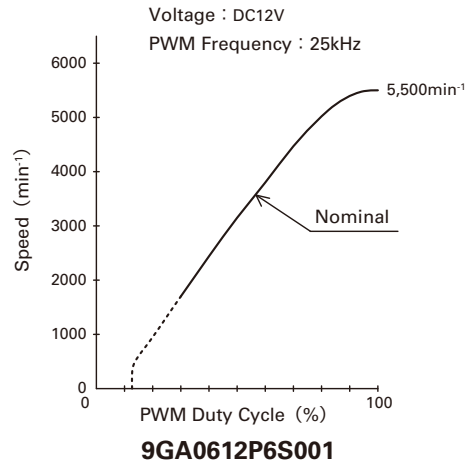
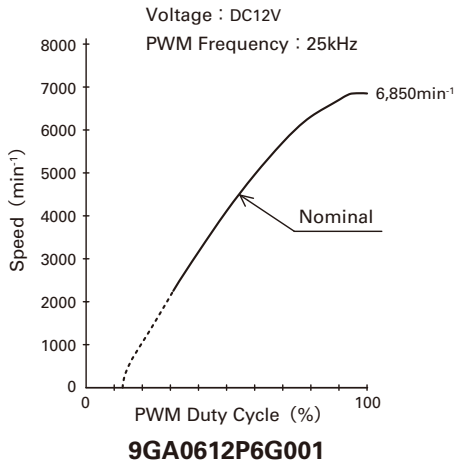


**9GA0612H6001**  
**9GA0624H6001**

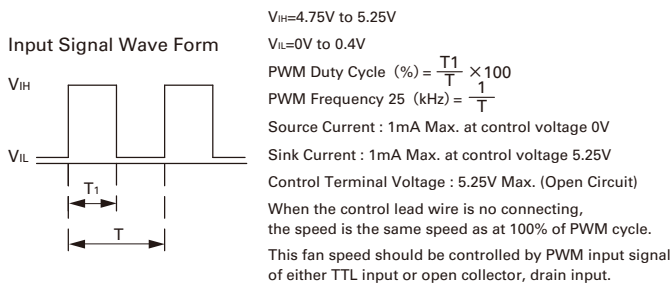


**9GA0612M6001**  
**9GA0624M6001**

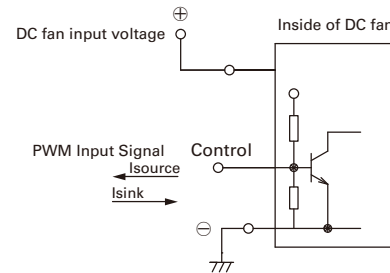
**PWM Duty - Speed Characteristics Example**



**PWM Input Signal Example**

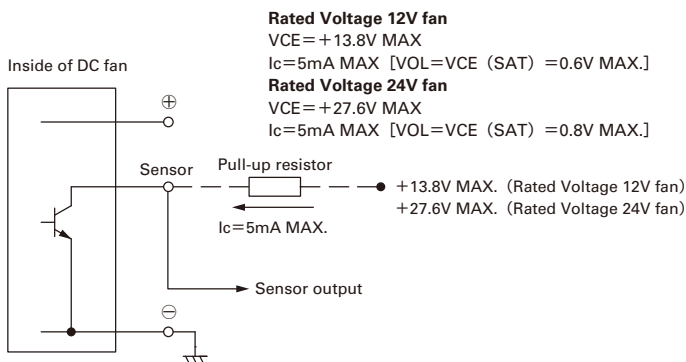


**Connection Schematic**

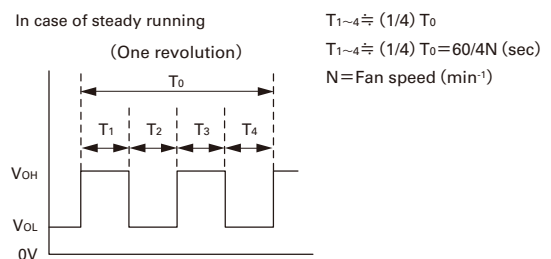


**Specification for Pulse Sensor**

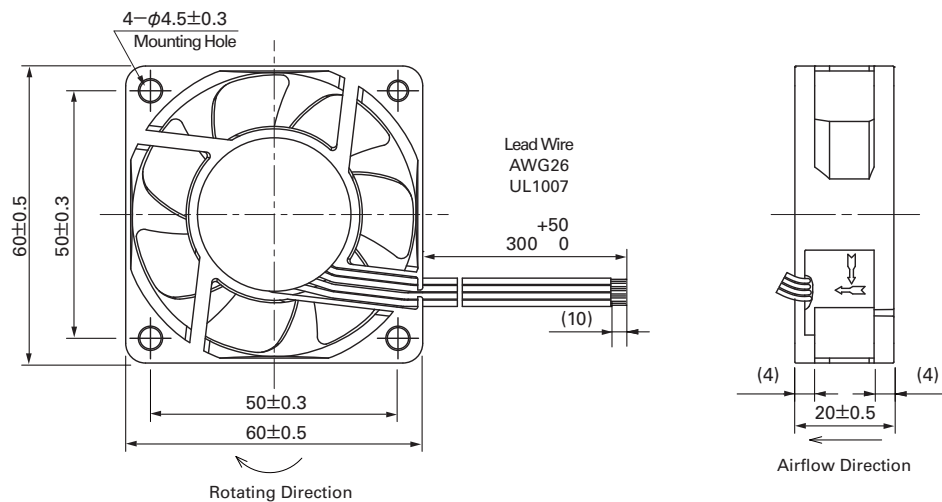
Output circuit : Open collector



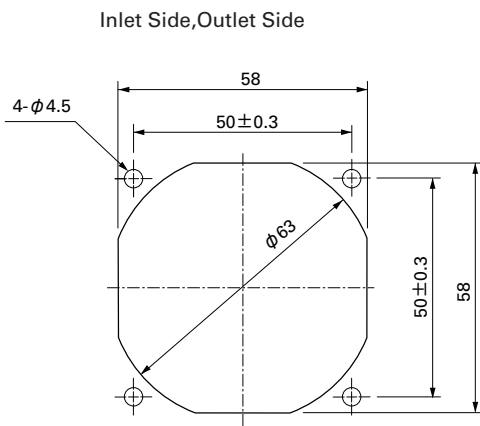
Output waveform (Need pull-up resistor)



■ **Dimensions (unit : mm) (With PWM speed control function · With pulse sensor)**



■ **Reference dimension of mounting holes and vent opening (unit : mm)**



**Notice**

- The products shown in the catalog are subject to Japanese Export Control Law. Diversion contrary to the law of exporting country is prohibited.
- To protect against electrolytic corrosion that may occur in locations with strong electromagnetic noise, we provide fans that are unaffected by electrolytic corrosion.

**SANYO DENKI CO., LTD.** 1-15-1, Kita-otsuka, Toshima-ku, Tokyo 170-8451, Japan. PHONE :+ 81 3 3917 5151

<http://www.sanyodenki.co.jp>

CATALOG NO. 950-1 '10.07