

AC Axial Fans

ebmpapst

Series 8000 N, Type 8506 N 80 x 80 x 38 mm

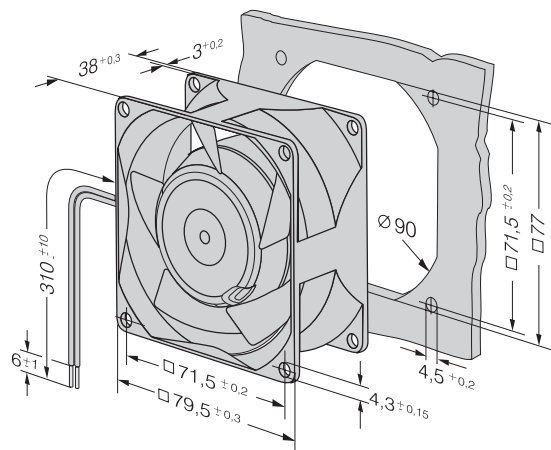
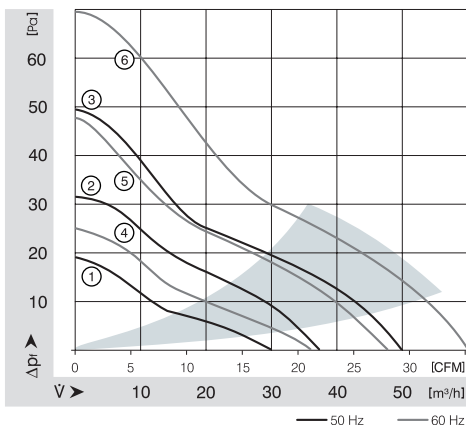


- AC fans with external rotor shaded-pole motor. Impedance protected against overloading.
- Metal fan housing and impeller.
- Air exhaust over struts. Rotational direction CW looking at rotor.
- Electrical connection via 2 leads. Stripped and tinned ends.
- Fan housing with ground lug for screw M4 x 8 (TORX).
- Mass 490 g.

ebm-papst • St. Georgen

Nominal Data	Air Flow		Nominal Voltage	Frequency	Noise	Sinter-Sleeve Bearings Ball Bearings	Power Input	Nominal Speed	Temperature Range	Service Life L ₁₀		Curve
	m ³ /h	CFM								at 40 °C	at t _{max}	
Type	m ³ /h	CFM	V	Hz	dB(A)	Bel	□/■	Watt	min ⁻¹	°C	Hours	Hours
8880 N	30	17.7	230	50	18	3.3	□	9.0	1 750	-10...+80	60 000 / 25 000	1
8850 N	37	21.8	230	50	24	3.9	□	12.5	2 150	-10...+70	52 500 / 25 000	2
8550 N	50	29.4	230	50	30	4.4	□	12.0	2 700	-10...+70	52 500 / 25 000	3
8556 N	50	29.4	230	50	31	4.5	■	12.0	2 800	-40...+90	52 500 / 15 000	3
8830 N	36	21.2	115	60	21	3.7	□	8.0	1 950	-10...+80	62 500 / 25 000	4
8800 N	47	27.7	115	60	28	4.3	□	11.0	2 500	-10...+70	55 000 / 27 500	5
8500 N	61	35.9	115	60	34	4.8	□	11.0	3 200	-10...+75	55 000 / 25 000	6
8506 N	61	35.9	115	60	35	5.0	■	11.0	3 300	-40...+95	55 000 / 15 000	6

Fan Type				Lead Wires	
8830 N	8800 N	8550 N	8500 N	310 mm long	AWG 18, TR 64
8556 N	8506 N			310 mm long	AWG 22
8880 N	8850 N			440 mm long	AWG 18, TR 64



ebm-papst St. Georgen GmbH & Co. KG

Hermann-Papst-Straße 1 • D-78112 St. Georgen • Phone +49 (0) 77 24 / 81-0 • Fax +49 (0) 77 24 / 81-1309 • info2@de.ebmpapst.com • www.ebmpapst.com/de