

# 8000A Series

# Tubeaxial

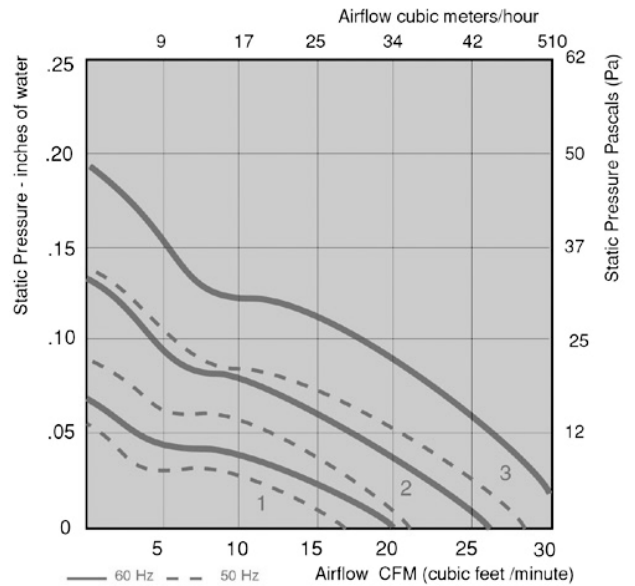
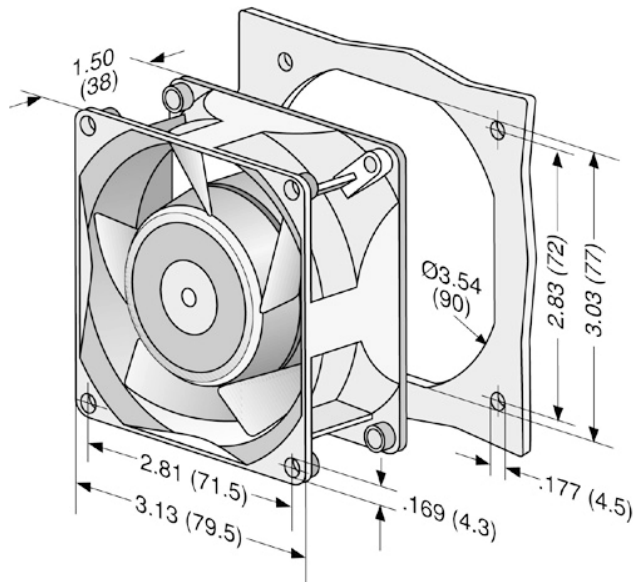
80x80x38mm

- AC fans with external rotor shaded-pole motor. Impedance protected against overloading.
- Metal fan housing and impeller.
- Air intake over struts. Rotational direction CW looking at rotor.
- Mounting from either face using four 4.3 mm holes.
- Electrical connection via 2 flat pins 2.8 x 0.5 mm.
- Fan housing with ground lug and screw M 4 x 8 (TORX).
- UL, CSA, VDE approvals on some models, please contact application engineering.

Part Number	CFM @ 0	Curve	Volts	Hertz	Power (W)	dBA	Max Ambient Temp C	Wgt. (lbs)	Type Of Bearing	Features
8830A	20	1	115	50/60	8	29	80	1.06	Sintec	Terminals
8800A	27	2	115	50/60	11	34	70	1.06	Sintec	Terminals
8500A	34	3	115	50/60	11	41	75	1.06	Sintec	Terminals
8880A	20	1	230	50/60	8	29	80	1.06	Sintec	Terminals
8850A	27	2	230	50/60	11	34	70	1.06	Sintec	Terminals
8550A	34	3	230	50/60	11	41	75	1.06	Sintec	Terminals
8556A	34	3	230	50/60	11	42	95	1.06	Ball	Terminals

Available on request:

- electrical connection via single leads
- air exhaust over struts, rotational direction CW



e-mail: [sales@ebm.com](mailto:sales@ebm.com) • TEL: 860-674-1515 • FAX: 860-674-8536  
 ebm Industries, Inc., 100 Hyde Road, Farmington, CT 06034 USA  
 ebm Industries, Inc., 2003 © ebm Industries, Inc. reserves the right to change any specifications or data without notice