



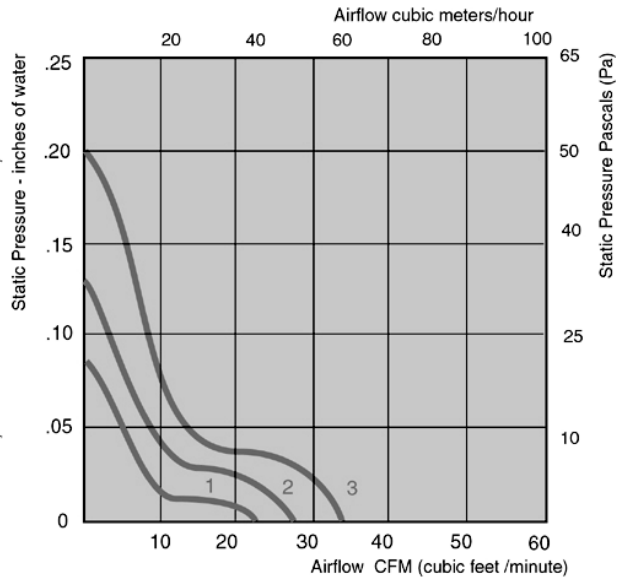
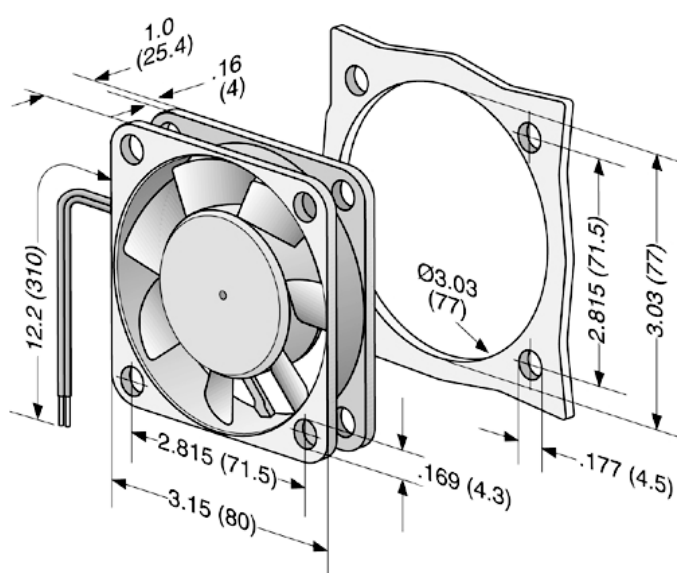
8400 Series

Tubeaxial

80x80x25mm

- DC fans with electronically commutated external rotor motor. Fully integrated commutation electronics.
- With electronic protection against reverse polarity, blocking and overloading; partially impedance protected.
- Mounting from either face using four 4.3 mm holes.
- Fan of fiberglass reinforced plastic. PBTP housing, PA impeller.
- Air exhaust over struts. Rotational direction CCW looking at rotor.
- Electrical connection via 2 leads AWG 24, TR 64. Stripped and tinned ends.
- UL, CSA, VDE approvals on some models, please contact application engineering.

Part Number	CFM @ 0	Curve	Volts	Voltage Range	Power (W)	dBa	Max Ambient Temp C	Wgt. (lbs)	Type Of Bearing	Features
8412GL	21	1	12	7 to 15	0.8	20	75	0.31	Sintec	Leads
8412L	21	1	12	7 to 15	0.8	21	75	0.31	Ball	Leads
8412GM	27	2	12	7 to 15	1.2	29	75	0.31	Sintec	Leads
8412M	27	2	12	7 to 15	1.4	29	75	0.31	Ball	Leads
8412	33	3	12	7 to 15	2.4	35	75	0.31	Ball	Leads
8412/12	33	3	12	7 to 15	2.4	35	75	0.31	Ball	Leads
8412/2	33	3	12	7 to 15	2.4	35	75	0.31	Ball	Leads
8412G	33	3	12	7 to 15	2.3	35	75	0.31	Sintec	Leads
<hr/>										
8414GL	21	1	24	12 to 28	0.8	20	75	0.31	Sintec	Leads
8414L	21	1	24	12 to 28	0.8	21	75	0.31	Ball	Leads
8414GM	27	2	24	12 to 28	1.2	29	75	0.31	Sintec	Leads
8414M	27	2	24	12 to 28	1.4	29	75	0.31	Ball	Leads
8414	33	3	24	12 to 28	2.4	35	75	0.31	Ball	Leads
8414/2	33	3	24	12 to 28	2.4	35	75	0.31	Ball	Leads
8414G	33	3	24	12 to 28	2.3	35	75	0.31	Sintec	Leads



e-mail: sales@ebm.com • TEL: 860-674-1515 • FAX: 860-674-8536
 ebm Industries, Inc., 100 Hyde Road, Farmington, CT 06034 USA

ebm Industries, Inc., 2003 © ebm Industries, Inc. reserves the right to change any specifications or data without notice