



700F Series

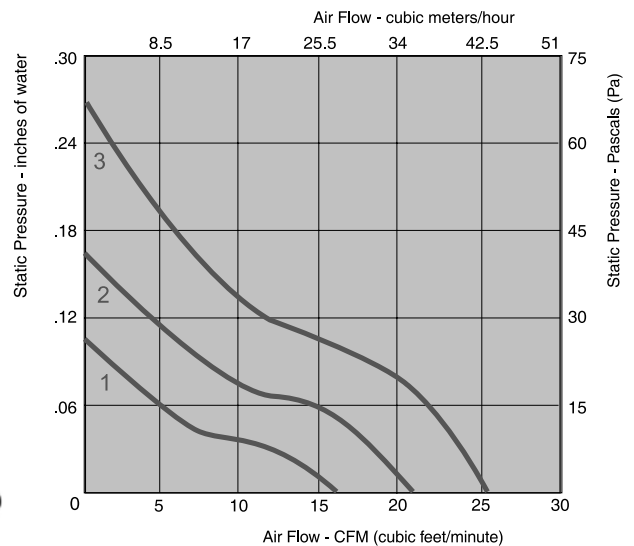
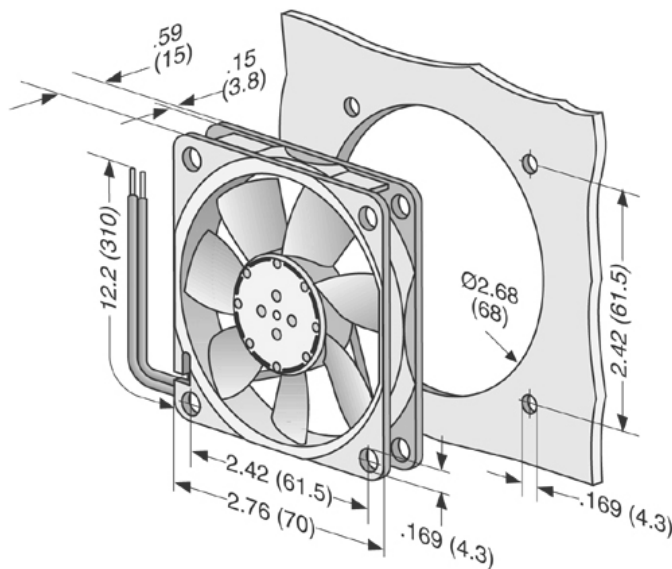
Tubeaxial

70x70x15mm

- DC fans with electronically commutated external rotor motor. Fully integrated commutation electronics.
- With electronic protection against reverse polarity. The fan only operates when the polarity is correct. Impedance-protected against blocking and overloading.
- Mounting from either face using four 4.3 mm holes.
- Fan of fiberglass reinforced plastic. PBTP housing, PA impeller.
- Air exhaust over struts. Rotational direction CCW looking at rotor.
- Electrical connection via 2 leads AWG 28, TR 64. Stripped and tinned ends.
- UL, CSA, VDE approvals on some models, please contact application engineering.

Part Number	CFM @ 0	Curve	Volts	Voltage Range	Power (W)	dBA	Max Ambient Temp C	Wgt. (lbs)	Type Of Bearing	Features
712FL	16.2	1	12	8 to 13.8	0.6	25	70	0.19	Sintec	Leads
712FM	21.2	2	12	8 to 13.8	1.1	32	70	0.19	Sintec	Leads
712F	25.9	3	12	8 to 13.8	1.7	36	70	0.19	Sintec	Leads
714F	25.9	3	24	12 to 30	1.7	36	70	0.19	Sintec	Leads

Tacho signal /2 and /12 available on request.
Alarm signal /37 and /39 available on request.



e-mail: sales@ebm.com • TEL: 860-674-1515 • FAX: 860-674-8536
ebm Industries, Inc., 100 Hyde Road, Farmington, CT 06034 USA

ebm Industries, Inc., 2003 © ebm Industries, Inc. reserves the right to change any specifications or data without notice