

AC axial fan

Series 7000 150 x 150 x 38 mm

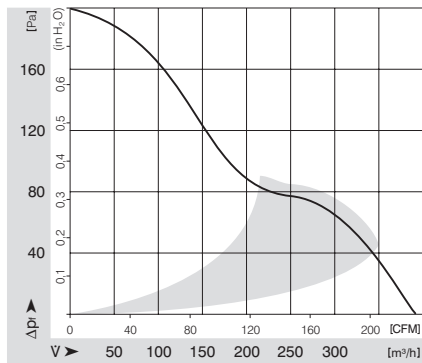


- **General description:** AC fan with external rotor capacitor motor.
- **Impeller material:** Metal
- **Housing material:** Metal

| Nominal data | | Voltage | Frequency | Air flow | Speed | Power consumption | Sound level | Sound pressure level | Ambient temperature | L10 service life at 40 °C | L10 service life at max. temp. | Weight |
|--------------|-------|---------|-----------|----------|-------|-------------------|-------------|----------------------|---------------------|---------------------------|--------------------------------|--------|
| Type | Motor | VAC | Hz | m³/h | 1/min | W | Bel | dB(A) | °C | h | h | kg |
| 7006 ES | -- | 115 | 60 | 390 | 3300 | 24.0 | 6.8 | 57 | -30 .. 80 | 55000 | 18000 | 0.900 |

Subject to modification Minimum operating temperature -15 °C. -30 °C for short periods; without condensation.

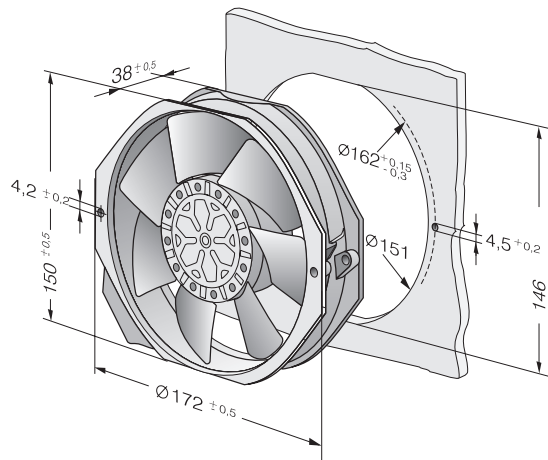
Characteristic: Pressure over air flow



AC axial fan

Series 7000 150 x 150 x 38 mm

Specific drawing



Technical description

- **General description:** AC fan with external rotor capacitor motor.
- **Housing material:** Metal
- **Direction of rotation:** Left, looking at rotor
- **Electrical connection:** 2 flat plugs 2.8 x 0.5 mm. Housing with grounding lug and tapping screw M4 x 6 (TORX)
- **Approvals:** VDE, CSA, UL, CE
- **Impeller material:** Metal
- **Bearings:** Ball bearings
- **Direction of flow:** Air exhaust over bars
- **Motor protection:** Protected from overload by a thermal switch

Contact

ebm-papst St. Georgen GmbH & Co. KG
Hermann-Papst-Straße 1
D-78112 St. Georgen
Phone +49 (0) 7724 / 81-0
Fax +49 (0) 7724 / 81-1309
info2@de.ebmpapst.com
www.ebmpapst.com