



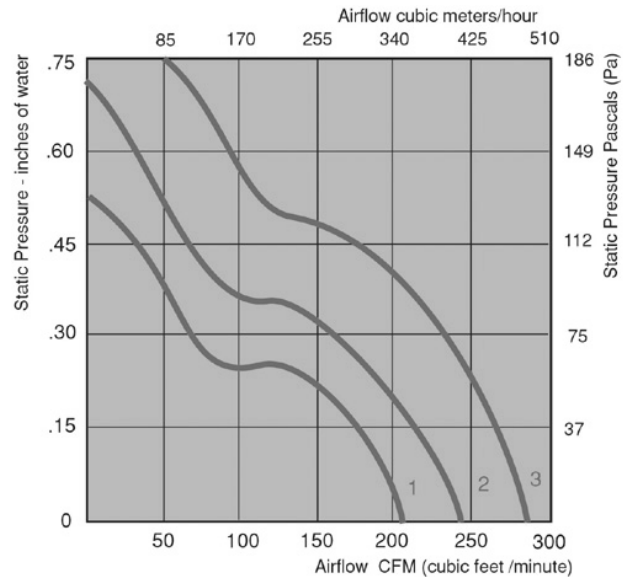
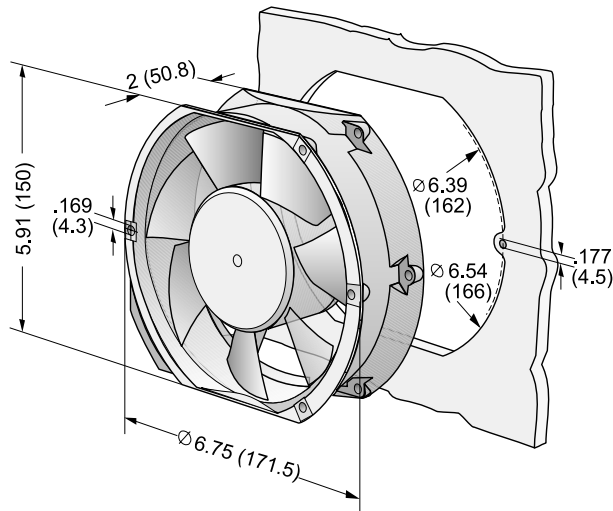
# 6400 Series

# Tubeaxial

Ø 172x51mm

- DC fans with electronically commutated external rotor motor. Fully integrated commutation electronics. With electronic protection against reverse polarity and blocking; electronic motor current limitation in the start-up phase when rotor is blocked.
- Metal fan housing, impeller of fiber-glass reinforced plastic PA.
- Air exhaust over struts. Rotational direction CCW looking at rotor.
- Electrical connection via 2 flat pins 3 x 0.5 mm. Housing with ground lug for screw M4 x 8 (TORX).
- UL, CSA, VDE approvals on some models, please contact application engineering.
- Mounting from either face using two 4.3 mm holes.

Part Number	CFM @ 0	Curve	Volts	Voltage Range	Power (W)	dBA	Max Ambient Temp C	Wgt. (lbs)	Type Of Bearing	Features
6412M	206	1	12	8 to 15	12	52	72	1.69	Ball	Terminals
6424M	206	1	24	12 to 32	12	52	72	1.69	Ball	Terminals
6424	241	2	24	12 to 28	18	57	72	1.69	Ball	Terminals
6424H	283	3	24	12 to 28	26	63	55	1.69	Ball	Terminals
6448M	206	1	48	28 to 60	11.5	52	72	1.69	Ball	Terminals
6448	241	2	48	26 to 60	17	57	72	1.69	Ball	Terminals
6448H	283	3	48	28 to 60	26	63	55	1.69	Ball	Terminals



e-mail: [sales@ebm.com](mailto:sales@ebm.com) • TEL: 860-674-1515 • FAX: 860-674-8536  
 ebm Industries, Inc., 100 Hyde Road, Farmington, CT 06034 USA

ebm Industries, Inc., 2003 © ebm Industries, Inc. reserves the right to change any specifications or data without notice