

600N Series

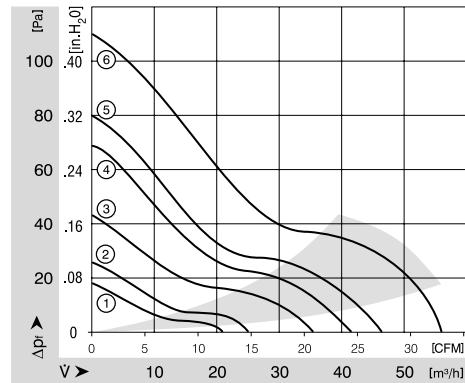
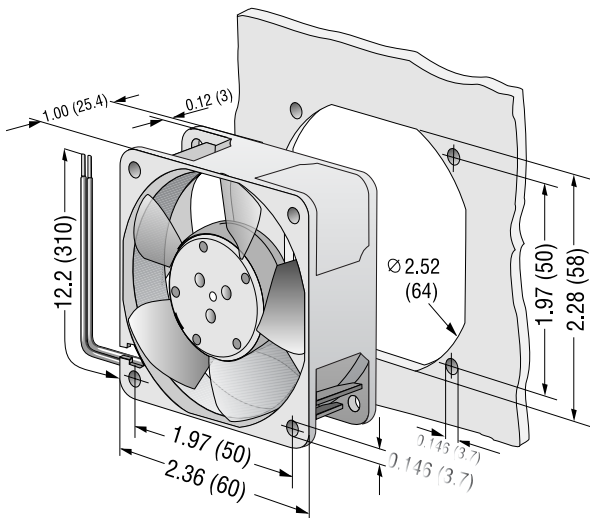
Tubeaxial

60x60x25mm



- DC fans with electronically commutated external rotor motor. Fully integrated commutation electronics.
- With electronic protection against reverse polarity, blocking and overloading.
- Mounting from either face using four 3.7 mm holes.
- Fan of fiberglass reinforced plastic. PBTP housing, PA impeller.
- Air exhaust over struts. Rotational direction CCW looking at rotor.
- Electrical connection via 2 leads AWG 22, TR 64. Stripped and tinned ends.
- UL, CSA, VDE approvals on most models, please contact application engineering.

Part Number	Curve	CFM @ 0	VDC	Volt. Range	Power (W)	dBA	Max Amb. Temp C	Bearing Type	Features	Wgt. (lbs)
612NLE	1	12.4	12	8 to 15	0.4	16	85	Ball	Leads	0.19
612NMLE	2	14.7	12	8 to 15	0.4	19	85	Ball	Leads	0.19
612NME	3	20.6	12	8 to 15	0.8	28	75	Ball	Leads	0.19
612NN	4	24.7	12	8 to 15	1.6	35	70	Ball	Leads	0.19
612NH	5	27.1	12	8 to 15	2.0	38	70	Ball	Leads	0.19
612NHH	6	33.0	12	8 to 13.2	3.0	43	70	Ball	Leads	0.19
<hr/>										
614NL	1	12.4	24	18 to 28	0.9	16	70	Ball	Leads	0.19
614NML	2	14.7	24	18 to 28	1.0	19	70	Ball	Leads	0.19
614NM	3	20.6	24	18 to 28	1.4	28	70	Ball	Leads	0.19
614NN	4	24.7	24	18 to 28	1.8	35	70	Ball	Leads	0.19
614NH	5	27.1	24	18 to 26	2.1	38	70	Ball	Leads	0.19
614NHH	6	33.0	24	18 to 26	3.0	43	70	Ball	Leads	0.19
<hr/>										
618NN	4	24.7	48	36 to 56	2.1	35	65	Ball	Leads	0.19



ebmpapst

e-mail: sales@us.ebmpapst.com · TEL: 860-674-1515 · FAX: 860-674-8536

ebm-papst Inc., 100 Hyde Road, Farmington, CT 06034 USA

ebm-papst Inc., 2006 © ebm-papst Inc. reserves the right to change any specifications or data without notice