

5300 Series

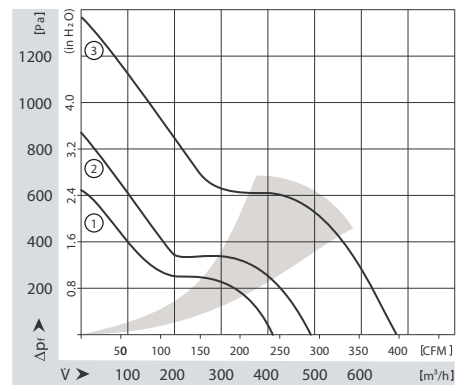
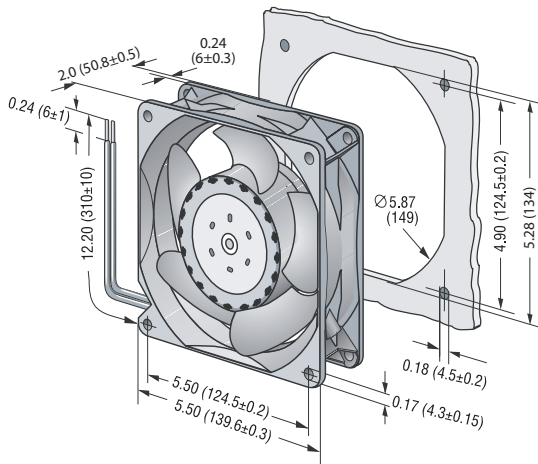
Tubeaxial

140x140x51mm



- DC fans with electronically commutated external rotor motor. Fully integrated commutation electronics.
- With electronic protection against reverse polarity, blocking and overloading.
- Mounting from either face using four 4.3 mm holes.
- Fan of fiberglass reinforced plastic. PBTP housing, PA impeller.
- Air exhaust over struts. Rotational direction CCW looking at rotor.
- Electrical connection via 2 leads AWG 22, TR 64. Stripped and tinned ends.
- UL, CSA, VDE approvals on most models, please contact application engineering.

Part Number	Curve	CFM @ 0	VDC	Volt. Range	Power (W)	dBA	Max Amb. Temp C	Bearing Type	Features	Wgt. (lbs)
5312/2TDHP	1	241.3	12	8 to 16	41	70	70	Ball	Leads	1.98
5314/2TDHP	1	241.3	24	16 to 36	41	70	70	Ball	Leads	1.98
5314/2TDHHP	2	288.4	24	16 to 36	67	75	70	Ball	Leads	1.98
5318/2TDHP	1	241.3	48	36 to 72	41	70	70	Ball	Leads	1.98
5318/2TDHHP	2	288.4	48	36 to 72	67	75	70	Ball	Leads	1.98
5318/2TDH4P	3	394.3	48	36 to 72	144	79	5	Ball	Leads	1.98



ebmpapst

e-mail: sales@us.ebmpapst.com · TEL: 860-674-1515 · FAX: 860-674-8536

ebm-papst Inc., 100 Hyde Road, Farmington, CT 06034 USA

ebm-papst Inc., 2007 © ebm-papst Inc. reserves the right to change any specifications or data without notice