

5100N Series

Tubeaxial

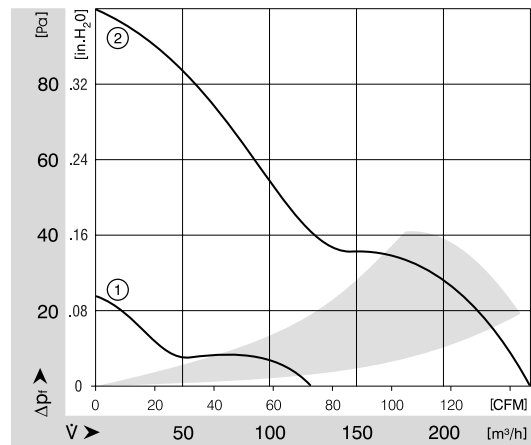
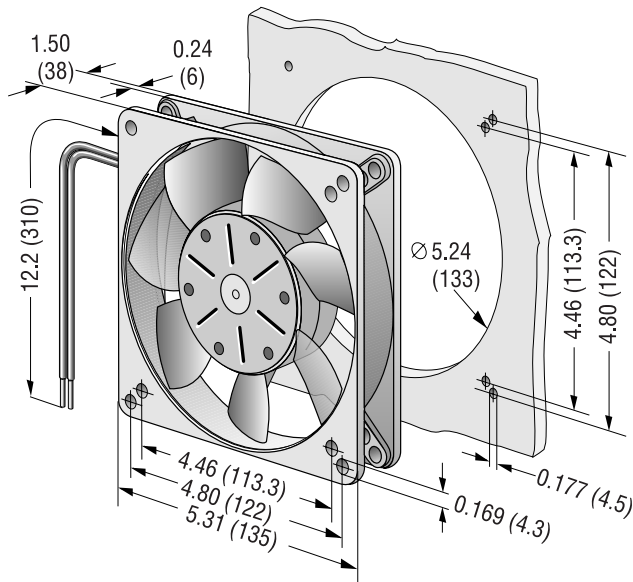
135x135x38mm



- DC fans with electronically commutated external rotor motor. Fully integrated commutation electronics.
- With electronic protection against reverse polarity and blocking.
- Metal fan housing and impeller.
- Mounting from either face using four 4.3 mm holes.

- Air exhaust over struts. Rotational direction CCW looking at rotor.
- Electrical connection via leads AWG 22, TR 64. Stripped and tinned ends. Housing ground lug for screw M4.
- UL, CSA, VDE approvals on some models, please contact application engineering.

Part Number	Curve	CFM @ 0	VDC	Volt. Range	Power (W)	dBA	Max Amb. Temp C	Bearing Type	Features	Wgt. (lbs)
5112N	2	147.1	12	6 to 15	9.5	48	72	Ball	Leads	1.43
5114N	2	147.1	24	12 to 30	9.5	48	72	Ball	Leads	1.43
5118NL	1	71.8	48	24 to 60	2.6	28	72	Ball	Leads	1.43
5118N	2	147.1	48	24 to 60	9.5	48	72	Ball	Leads	1.43



ebmpapst

e-mail: sales@us.ebmpapst.com · TEL: 860-674-1515 · FAX: 860-674-8536

ebm-papst Inc., 100 Hyde Road, Farmington, CT 06034 USA

ebm-papst Inc., 2006 © ebm-papst Inc. reserves the right to change any specifications or data without notice