

AC Cooling Fan

AC 4E-02



SIZE :

119x119x38mm (4.69"x4.69"x1.50")

CONSTRUCTION :

- Die-cast aluminum housing
- Metal impeller or Glass fiber reinforced plastic: Impeller are UL 94V-0 rating
- Shaded pole motor
- Impedance protected
- Leader wire or Terminal is available

OPERATING TEMPERATURE :

Ball bearing - 30°C to +75°C
Sleeve bearing - 10°C to +70°C

WEIGHT :

600 grams

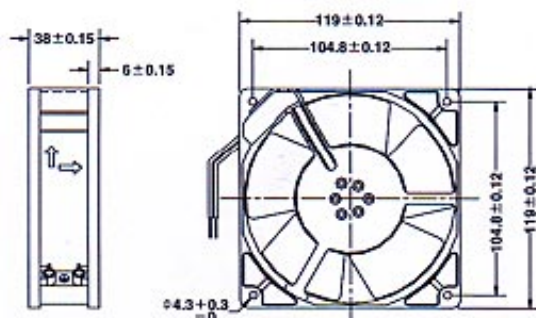


Specifications

Specifications are subject to change without notice

| MODEL NO. | BEARING | RATED VOLTAGE | FREQUENCY | MAX. RATED CURRENT | MAX. INPUT POWER | SPEED R.P.M. | MAX. AIR FLOW | | MAX. AIR PRESSURE | | NOISE dB-A |
|---------------|---------|---------------|-----------|--------------------|------------------|-----------------|---------------------|---------|--------------------|---------------------|---------------|
| | | VAC | Hz | mA | W | | m ³ /min | CFM | mmH ₂ O | IN H ₂ O | |
| 4E-115B-21-02 | Ball | 115 | 50/60 | 230/220 | 22/20 | 2000/2200 | 2.23/2.32 | 79/82 | 3.4/3.0 | 0.13/0.11 | 39/41 |
| 4E-115S-21-02 | Sleeve | | | | | | | | | | |
| 4E-230B-21-02 | Ball | 230 | 50/60 | 130/120 | 20/19 | 2000/2200 | 2.23/2.32 | 79/82 | 3.4/3.0 | 0.13/0.11 | 39/41 |
| 4E-230S-21-02 | Sleeve | | | | | | | | | | |
| 4E-115B-02 | Ball | 115 | 50/60 | 250/240 | 24/22 | 2700/3000 | 2.99/3.39 | 106/120 | 7.6/7.0 | 0.29/0.27 | 46/50 |
| 4E-115S-02 | Sleeve | | | | | | | | | | |
| 4E-230B-02 | Ball | 230 | 50/60 | 140/130 | 22/21 | 2700/3000 | 2.99/3.39 | 106/120 | 7.6/7.0 | 0.29/0.27 | 46/50 |
| 4E-230S-02 | Sleeve | | | | | | | | | | |

Dimensions (mm)



Performance Curve

