

4412 F

## DC axial compact fan



### ebm-papst St. Georgen GmbH & Co. KG

Hermann-Papst-Straße 1

78112 St. Georgen

Phone: +49 7724 81-0

Fax: +49 7724 81-1309

www.ebmpapst.com

info2@de.ebmpapst.com

### Nominal data

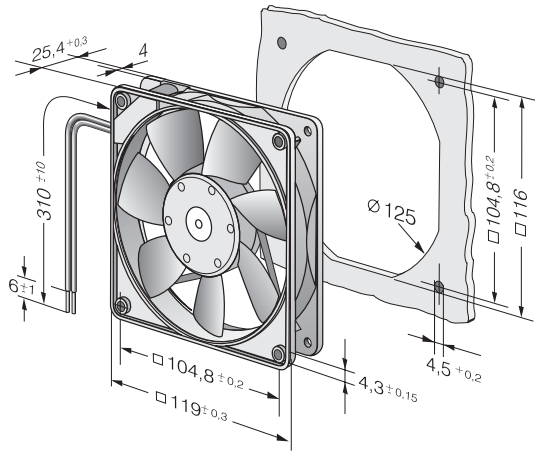
| Type                     | 4412 F               |           |
|--------------------------|----------------------|-----------|
| Nominal voltage          | [VDC]                | 12        |
| Nominal voltage range    | [VDC]                | 8 .. 12.6 |
| Speed                    | [min <sup>-1</sup> ] | 2900      |
| Power input              | [W]                  | 5.3       |
| Min. ambient temperature | [°C]                 | -20       |
| Max. ambient temperature | [°C]                 | 60        |
| Air flow                 | [m <sup>3</sup> /h]  | 170       |
| Sound power level        | [B]                  | 5.3       |
| Sound pressure level     | [dB(A)]              | 43        |

ml = max. load · me = max. efficiency · rfa = running at free air · cs = customer specs · cu = customer unit  
Subject to alterations

**Technical features**

|  |   |
|--|---|
| <b>Dimensions</b>                          | 119 x 119 x 25 mm   |
| <b>General description</b>                 | Open loop speed control on request. Electronic commutation completely integrated. |
| <b>Connection line</b>                     | Single strands AWG 24, TR 64, bared and tin-plated.                               |
| <b>Locked-rotor protection</b>             | Blocking and overload protection  |
| <b>Direction of protection</b>             | Left, looking at rotor  |
| <b>Direction of air flow</b>               | Air exhaust over bars   |
| <b>Bearing</b>                             | Ball bearings   |
| <b>Lifetime L10 at 40 °C</b>               | 60000 h   |
| <b>Lifetime L10 at maximum temperature</b> | 37500 h   |
| <b>Mass</b>                                | 0.175 kg  |
| <b>Housing material</b>                    | Fiberglass-reinforced PBT plastic   |
| <b>Material of impeller</b>                | Fiberglass-reinforced PA plastic  |
| <b>Motor protection</b>                    | Protected against reverse polarity and locking.                                   |
| <b>Option</b>                              | Speed signal  |
| <b>Approval</b>                            | VDE, CSA, UL, CE  |

## Product drawing



## Charts: Air flow

