



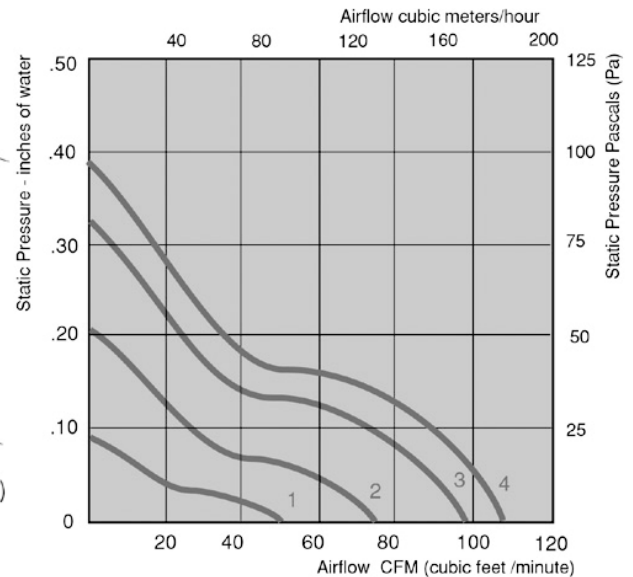
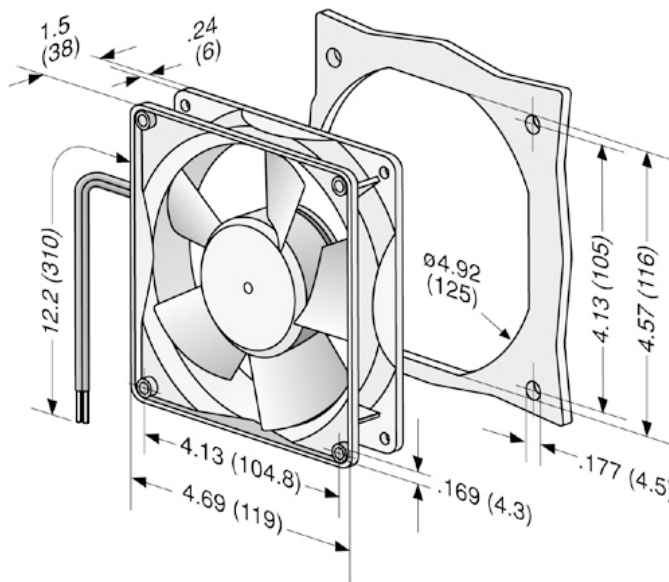
4200 Series

Tubeaxial

119x119x38mm

- DC fans with electronically commutated external rotor motor. Fully integrated commutation electronics.
- With electronic protection against reverse polarity, blocking and overloading by PTC-resistor; partially impedance protected.
- Mounting from either face using four 4.3 mm holes.
- Fan of fiberglass reinforced plastic. PBTP housing, PA impeller.
- Air exhaust over struts. Rotational direction CCW looking at rotor.
- Electrical connection via leads AWG 22, TR 64. Stripped and tinned ends.
- UL, CSA, VDE approvals on some models, please contact application engineering.

Part Number	CFM @ 0	Curve	Volts	Voltage Range	Power (W)	dBA	Max Ambient Temp C	Wgt. (lbs)	Type Of Bearing	Features
4212L	51	1	12	7 to 14.5	1.2	29	75	0.63	Ball	Leads
4212GM	75	2	12	7 to 14.5	2.2	38	75	0.63	Sintec	Leads
4212M	75	2	12	7 to 14.5	2.2	38	75	0.63	Ball	Leads
4292GM	75	2	12	7 to 14.5	2.2	38	75	0.63	Sintec	Terminals
4212	97	3	12	7 to 14.5	4.3	45	75	0.63	Ball	Leads
4212/2	97	3	12	7 to 14.5	4.3	45	75	0.63	Ball	Leads
4212/12	97	3	12	7 to 14.5	4.3	45	75	0.63	Ball	Leads
4292	97	3	12	7 to 14.5	4.3	45	75	0.63	Ball	Terminals
4212H	108	4	12	7 to 14.5	5.3	49	65	0.63	Ball	Leads
<hr/>										
4214L	51	3	24	12 to 28	1.2	29	75	0.63	Ball	Leads
4214	97	3	24	12 to 28	4.3	45	75	0.63	Ball	Leads
4214G	97	3	24	12 to 28	4.3	45	75	0.63	Sintec	Leads
4294	97	3	24	12 to 28	4.3	45	75	0.63	Ball	Terminals



e-mail: sales@ebm.com • TEL: 860-674-1515 • FAX: 860-674-8536
 ebm Industries, Inc., 100 Hyde Road, Farmington, CT 06034 USA

ebm Industries, Inc., 2003 © ebm Industries, Inc. reserves the right to change any specifications or data without notice



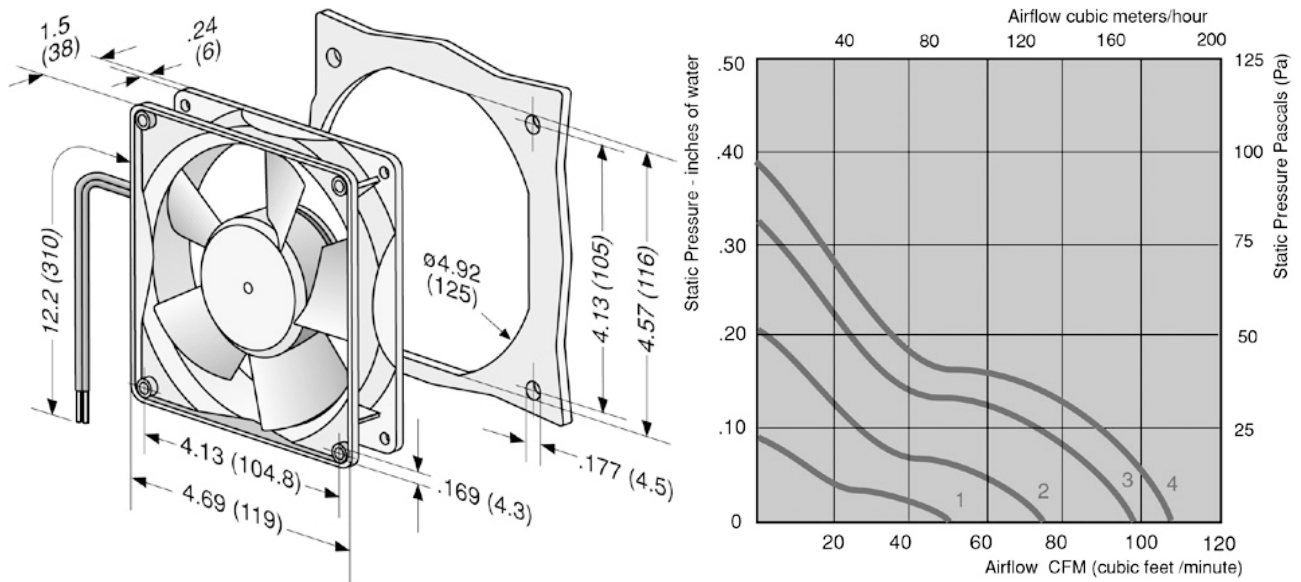
4200 Series

Tubeaxial

119x119x38mm

- DC fans with electronically commutated external rotor motor. Fully integrated commutation electronics.
- With electronic protection against reverse polarity, blocking and overloading by PTC-resistor; partially impedance protected.
- Mounting from either face using four 4.3 mm holes.
- Fan of fiberglass reinforced plastic. PBTP housing, PA impeller.
- Air exhaust over struts. Rotational direction CCW looking at rotor.
- Electrical connection via leads AWG 22, TR 64. Stripped and tinned ends.
- UL, CSA, VDE approvals on some models, please contact application engineering.

Part Number	CFM @ 0	Curve	Volts	Voltage Range	Power (W)	dBA	Max Ambient Temp C	Wgt. (lbs)	Type Of Bearing	Features
4214GH	108	3	24	12 to 28	5.3	49	75	0.63	Sintec	Leads
4214H	108	4	24	12 to 28	5.3	49	65	0.63	Ball	Leads
4294H	108	4	24	12 to 28	5.3	49	65	0.63	Ball	Terminals
4218	97	3	48	36 to 56	4.3	45	75	0.63	Ball	Leads
4218/2	97	3	48	36 to 56	4.3	45	75	0.63	Ball	Leads
4298	97	3	48	36 to 56	4.3	45	75	0.63	Ball	Terminals
4218H	108	4	48	36 to 56	5.9	49	65	0.63	Ball	Terminals
4298H	108	4	48	36 to 56	5.6	49	65	0.63	Ball	Terminals



e-mail: sales@ebm.com • TEL: 860-674-1515 • FAX: 860-674-8536
 ebm Industries, Inc., 100 Hyde Road, Farmington, CT 06034 USA

ebm Industries, Inc., 2003 © ebm Industries, Inc. reserves the right to change any specifications or data without notice