

# 400J Series

Tubeaxial

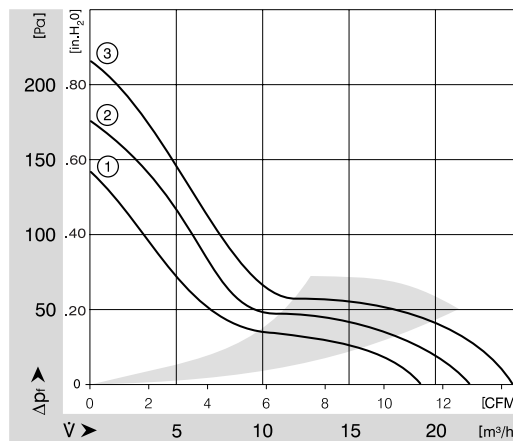
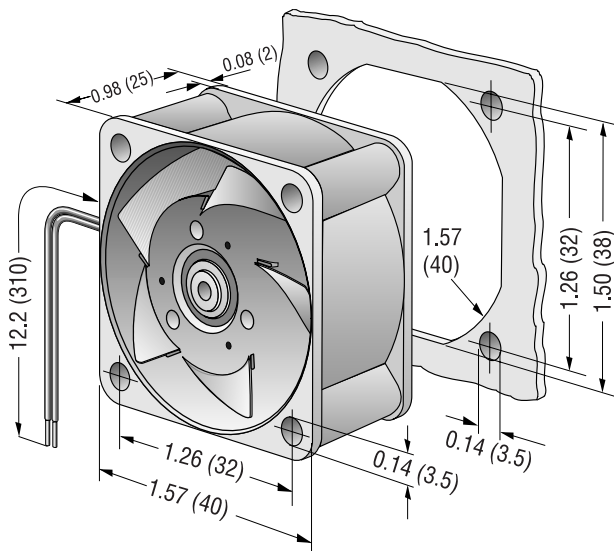
## 40x40x25mm High Performance



- DC high-performance fans with electronically commutated external rotor motor. Fully integrated commutation electronics.
- With electronic protection against reverse polarity, blocking and overloading.
- Mounting from either face using four 3.5 mm holes.
- Fan of fiberglass reinforced plastic. PBT housing, PA impeller.
- Air exhaust over struts. Rotational direction CCW looking at rotor.
- Electrical connection via leads AWG 28, TR 64. Stripped and tinned ends.
- UL, CSA, VDE approvals on some models, please contact application engineering.

Part Number	Curve	CFM @ 0	VDC	Volt. Range	Power (W)	dB(A)	Max. Amb. Temp. C	Bearing Type	Speed (RPM)	Features	Wgt. (lbs)
412J	1	11.2	12	8 to 13.5	2.4	39	70	Ball	10300	Leads	0.11
412JH	2	12.9	12	8 to 13.5	3.0	43	70	Ball	11700	Leads	0.11
412JHH	3	14.1	12	8 to 13.5	3.3	46	60	Ball	13000	Leads	0.11
414J	1	11.2	24	18 to 27	2.4	39	70	Ball	10300	Leads	0.11
414JH	2	12.9	24	18 to 27	3.0	43	70	Ball	11700	Leads	0.11
414JHH	3	14.1	24	18 to 27	3.6	46	60	Ball	13000	Leads	0.11

Tacho signal /2 available on request.  
Alarm signal /37 available on request.



**ebmpapst**

e-mail: [sales@us.ebmpapst.com](mailto:sales@us.ebmpapst.com) · TEL: 860-674-1515 · FAX: 860-674-8536

ebm-papst Inc., 100 Hyde Road, Farmington, CT 06034 USA

ebm-papst Inc., 2006 © ebm-papst Inc. reserves the right to change any specifications or data without notice